

Index			
Monoband QRP-CW Transceiver "SPARROW"	3	Section 6 TX Mixer up to the input of T4.	29
Preface:	3	Section 7 Exciter and amplifier up to and including TR1/C86.	31
Technical data:	3	Section 8 PA	33
Description of individual stages:	3	Wiring diagramm Sparrow	43
Local oscillator:	3	Fitting in the enclosure.	35
Receiver:	4	Appendix A Test for section 1	36
Transmitter:	5	Appendix B Test of section 2	36
Transmitter keying and RIT:	5	Appendix C Test of section 3	36
Voltage controller:	5	Appendix D Test section 4	37
The first steps	5	Appendix E Test section 5	38
What you need to know	5	Appendix F Test section 6	38
Soldering	6	Appendix G Test section 7	38
Soldering iron:	6	Appendix H Test section 8	39
Before removing components from the pc board	6	Appendix I Winding instructions for transformer TR1	40
If you don't know what to do?	7	Packing list Sparrow	41
Section 1, Voltage regulation, keying section.	9	Parts list Sparrow DDS VFO	42
Section 2: AF output stage, AF preamplifier stage	11	Parts list Sparrow	42
Section 3, IF amplifier	13	Packing list Sparrow	42
Small toroid and component school	15	Appendix H, Schematic DDS VFO	43
Toroid inductors	15	Schematic Sparrow	44
The formula for powder cores looks like this:	17	Block Diagramm	45
Capacitors	17		
The DDS VFO for the Sparrow	19		
Functions of the DDS:	19		
VFO	19		
Tuning:	19		
Showing the band edges:	19		
RIT (R)eceiver (I)ncremental (Tuning).	19		
XIT (X)mitter (I)ncremental Tuning.	19		
CW-keyer	19		
Changing the keying speed	19		
Memo	20		
AFA	20		
Parts list for the Sparrow DDS VFO	20		
Section 4 VFO-Mixer and counter read out	25		
Section 5: RX input including Lowpass Filter LPF.	27		

Monoband QRP–CW Transceiver "SPARROW"

- tentative english translation by Peter Raabye, OZ5DW, 18.04.03
Not verbatim: readability was a priority.

By Peter Solf, DK1HE

Project coordination and editing: Peter Zenker, DL2FI

With support from Jürgen, DL1JGS (Prototypes, manual) and Wolf, DL2WRJ (Programming of the DDS VFO)

Preface:

Even in times of modern all band technology, there is a continuing interest in monoband QRP CW transceivers. Most are presented as easily and quickly built kits, and are thus well suited for both newcomers and oldtimers. The experience of trouble free QSOs with a home built, simple transceiver won't compare to using even the most expensive „yen box“: it gives at feeling of going back to the roots of ham radio.

Available kits are roughly of two kinds:

1. „Fun transceivers“, designed for QRP use and a minimum of complexity and component count.
2. Monoband transceivers with a more demanding technique and larger complexity, but with a comfort of use and performance comparable to more expensive equipment.

Kits in category 1 usually have direct conversion or single conversion receivers. Many of these are good constructions, though. They often miss sensitivity, and as their oscillators often are based on VXCOs, they usually have a small frequency variation. Due to little RF selectivity, they often have intermodulation problems from BC transmitters on the 40 meter band. RF attenuator potentiometers relieves this a little, but at the price of reduced sensitivity. No or bad AGC forces the operator to adjust the AF output volume. Because of the increasing demands on the construction, most kits are not offered in version for higher bands than 20 meters.

These categories of kits have in common, that about 80% come from english speaking countries (why?), and thus offers a problem of high import and customs costs for europeans. At the wish of the DL-QRP-AG, I developed the monoband transceiver described in this document, to respect both the ease of construction of category 1 and the good technical specifications of category 2.

Peter, DL2FI dubbed it Spatz, in english Sparrow.
Sparrow for small and awake!

Technical data:

- 7,000 MHz to 7,100 MHz CW
- DDS VFO, as stable as crystal control
- High RX sensitivity (typ. 0,3µV)
- High RX input selectivity (good intermodulation characteristics on 40 meters)
- 8 pole Cohn Filter with 400Hz bandwidth
- Combined dynamic range of AF and IF of more than 90dB
- QSK
- RIT, XIT
- Frequency read out in morse
- possible addition of an external frequency display (with IF offset)
- possible addition of a relative signal strength read out
- chirp reduction
- PA output adjustable to a max. of 5W
- hardy PA transistor (2SC1969)
- direct monitoring of transmitted signal
- High suppression of spurious signals
- low power consumption (RX=80mA; TX=630mA at 5W Out)
- reduction of external wiring through use of printed circuit connectors.
- easily reproduced toroid inductances
- standard casing (Teko CH2) with printed front panel sticker

Description of individual stages:

Local oscillator:

The VFO is based on superheterodyne principles. This is done by mixing the stable output of a DDS VFO with the output from a band set crystal oscillator. This will give stable local oscillator operation even in the 6 meter

Revision:13.01.04
Kits in category 2 take more time to build, due to a larger component count and more complex design. Trimming of these kits are also more complicated. Many newcomers won't build one of these kits, as they want to be QRV quickly and easily.

band.

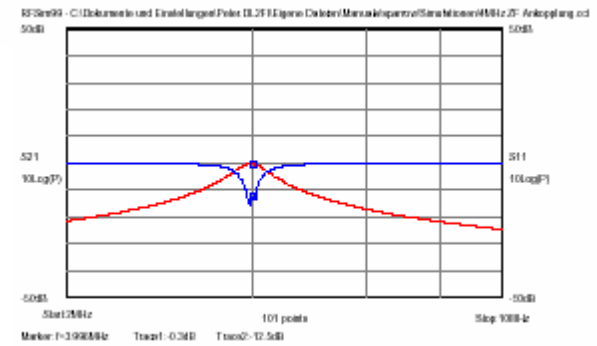
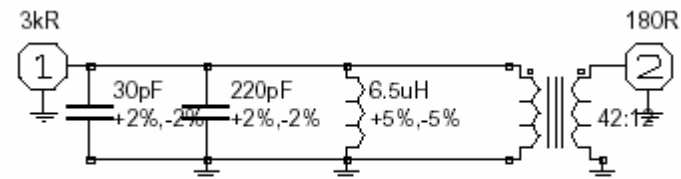
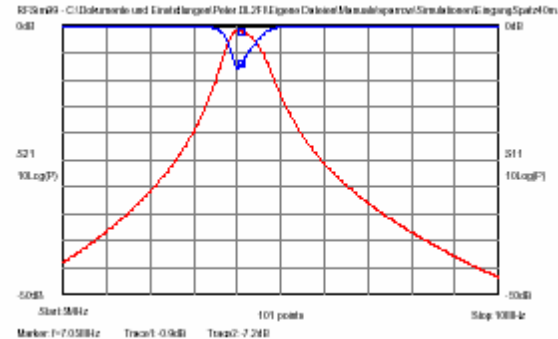
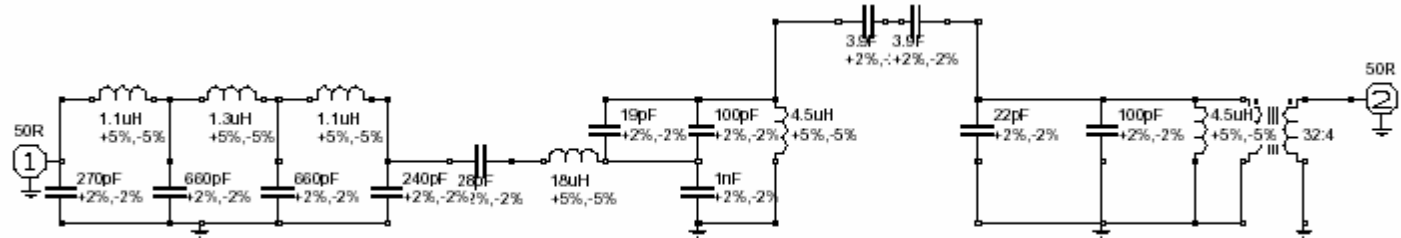
On the circuit:

The DDS VFO gives a 8000-8100 kHz signal, stable as a crystal oscillator. This is buffered in T2 and input to the Gilbert cell mixer IC4, where it is mixed with an internal band set crystal oscillator signal based on Q6. In case of overtone crystals Dr1 with reduce the 1. harmonic. On the output of the mixer a loosely coupled, highly selective parallel resonant circuit with L5 will clean up the LO frequency. C38/C39 gives a low loss coupling to the gate coupled amplifier T1. The output circuit around L4 further increases the spectral purity of the amplified signal. The local oscillator signal is sent by C9 or the divider C35/C36 to the transmitter and receiver mixers, respectively. The optional JFET buffer, T8, is for low loss coupling of an external frequency display.

Receiver:

The antenna signal goes from the transmitter output filter through the series resonant circuit C75/L9 to the RX preselector. As the PA transistor T7 is blocked during reception (class C operation), Tr2 is only active with its relatively high inductive reactance, and will only load the antenna signal very little. D13 will be conducting during transmission, and will thus protect the receiver from high RF voltages. The preselector consists of two capacitively coupled parallel resonant circuits with a high Q. This gives a good selectivity, and increases the intermodulation characteristics especially in the 40 meter band. D1 works as an attenuator during transmission and reduces the transmitter signal to prohibit too high AGC voltages, to allow listening in the keying pauses (QSK). In reception D1 will be blocked by the voltage of the zener diode D2, and thus increase in impedance. The signal can be further reduced the optional diode D14. To inhibit further intermodulation effect due to non linear diode characteristics, PIN diodes are used for D1, D13 and D14, as they work as controllable linear resistors. The filtered receiver signal is inductively and symmetrically coupled to the reception mixer IC1 via L2.

Below you will find a simulation of the entire 40 meter input circuit, done with RFSIM99. The software is Freeware, and is contained on the CD enclosed with the kit, so you are free to play with the components. IC1 amplifies the received signal after mixing with the local oscillator, and outputs the 4000 kHz IF.



Transmitter:

IC6 mixes the local oscillator signal with a 4000 kHz carrier. The 4000 kHz signal is produced by the internal oscillator of IC6 in conjunction with Q8. The following capacitatively coupled band pass filter, based on L6/L7, strips the unwanted mixer products. C58/C59 transforms the high output impedance of the filter to the input impedance of the amplifier T4. P5 regulates the emitter current, and thus the amplification of the section. The collector of T4 is loaded by the parallel resonant circuit of L8/C62. A high Q is achieved through a weak inductive coupling, and thus a high increase in spectral purity of the transmitter signal. C63 couples the amplified transmitter signal to the following buffer. T5 works as a emitter follower with high input impedance, and thus low loading of L8/C62. The low impedance output of T5 is directly coupled to the base of T6. R30/R31 places T6 in class B operation (kleiner Ruhestrom $\sim 5\text{mA}$). The dynamic amplification of the stage is determined by the feedback circuit of R34/C66/R33. Tr1 transforms the output of T6 to the very low base impedance of the PA transistor T7 ($\sim 5\ \Omega$). C68/D12 gives a better dynamic range of T7 for not quite sinus shaped signals (clamper). R35 places T7 in class C operation. Tr2 transforms the collector impedance of T7 to the 50 Ω level. C71 serves as a compensation of the inductive reactance of Tr2, which is not negligible in higher bands (This increases the efficiency of the stage). Harmonics are reduced by at least 50 dBc in the three section output filter of L10/L11/L12.

Transmitter keying and RIT:

RIT and XIT (fine tuning of the transmitter by fixed RX frequency) is achieved directly in the DDS VFO. The transmitter is keyed softly via T3 as follows: C69 is charged via R24 with a time constant of some 5mSec. On reaching the gate opening voltage T3 conduct increasingly, giving power to the transmitter stages. Through this slow increase of the supply voltage, the maximum transmission power isn't reached till after some 5 mSec (rounded flank). After release of the key C69 is discharged via R24 with a time constant of, once more, some 5mSec. After reaching the gate opening voltage, T3 will slowly reduce the voltage of the transmitter stages. The output will reduce to zero within about 5mSec (rounded flank). Through the easy controlling by T3 it is possible to reach well defined flanks for the keying.

Key clicks are eliminated.

Voltage controller:

To reduce the effects of varying input voltage, IC8/IC9 is used to regulate voltages for the individual stages. The kits can work from any supply voltage between 10 and 15 V.

The first steps

What you need to know

You don't have to be an electronics expert, but you have to know some of the basics before you delve into this adventure.

The first steps

What you need to know

You don't have to be an electronics expert, but you have to know some of the basics before you delve into this adventure.

Colour coding: (Resistors, capacitors, inductances)

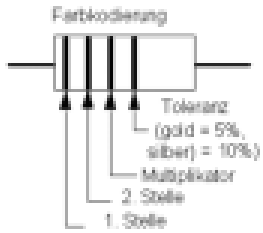
You must be familiar with the standard colour coding of electronic components. If you're not sure, measure with an ohmmeter.

Some 8% of the male populations is red/green colour blind. Many doesn't even know. If you are one of these, you should measure all resistors with an ohmmeter before mounting them.

The color-code chart next page shows how to read the four color bands on 5% resistors. 1% resistors are similar, except that they use five bands (three significant digits, multiplier, and tolerance). For example, a 1,500 ohm (1.5 k) 5% resistor has color bands BROWN, GREEN, and RED. A 1.5 k, 1% resistor has color bands BROWN, GREEN, BLACK, BROWN. The multiplier value is 1 rather than 2 in the 1% case because of the third significant digit.

Because 1% resistors have color bands that are sometimes hard to distinguish clearly, you should always check their resistance using an ohmmeter.

The markings on RF chokes reflect their value in microhenries (μH). Like 5% resistors, chokes use two significant digits and a multiplier. Example: an RF choke with color bands RED, VIOLET, BLACK would have a value of 27 μH .



Soldering

Hopefully this is not your first encounter with a soldering iron. If it is, or this is your first semiconductor project, read the following tips.

Soldering iron:

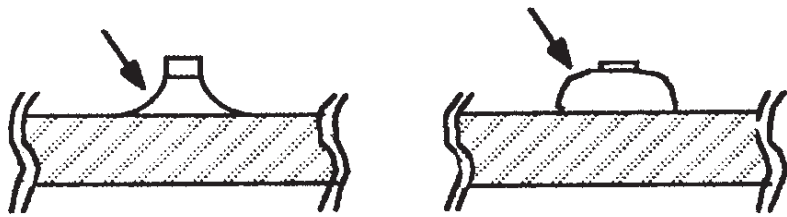
Use a 50 to 80 W soldering iron if possible. A 0,8 mm pencil tip is ideal. Keep the tip clean. Use a moist sponge or a moist cotton cloth to clean the tip regularly during work. On ground areas, you might need a larger soldering iron tip.

Only heat the soldering point enough for a good connection. A small vise for holding the pc board is a great help

Farbe	Wert	Multiplikator
Schwarz	0	x 1
Braun 1	1	x 10
Rot	2	x 100
Orange 3	3	x 1k
Grün	4	x 10k
Blau	5	x 100k
Biank	6	x 1M
Violett 7	7	
Grün	8	
Violett	9	
Silber	-	x 0,01
Gold	-	x 0,1

The printed circuit board is double sided and all holes are plated-through. This means that you need not, and indeed should not, solder on the component side of the board.

How to recognize a good and a bad soldering:



GOOD

Ideal: the soldering point is rounded and concave.

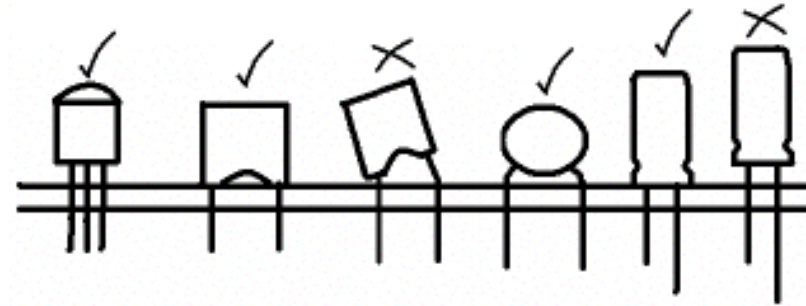
Touch pc board and component at the same time with the soldering iron. Within one or two seconds add solder, to see solder flow at soldering point. Pull away solder and then pull away soldering iron.

BAD

Too much solder has been added

Don't try to fill up the soldering points with solder. Too much solder leads to trouble, as it can bridge pc board or components. Press components as far into the board as possible. This is not a question of good looks, but an RF

technical must. Resistors should be flush with the pc board, when not indicated, that they should be mounted standing. Capacitors have to be flush too. In other words: No components with long wires.



Please read the following, before removing components from the pc board

Oh Noooo! Sooner or later you have to remove components, that have been soldered into wrong places, or a parts has to be removed to locate malfunctions.

Get a roll of solder wick. Put the end of the solder wick on the soldering point to be removed, and push the soldering iron to the wick. After a few seconds, you pull, as the wick absorbs the solder. Remove the wick (vertically, never to the side!). Repeat this till the soldering point is clean. It can necessary to reheat the soldering point for the removal of the component. Only heat the soldering point for the necessary time; the copper foil can lift off from the pc board, if overheated.

If this doesn't work, you have to cut the component connector and pull it with a pair of pliers. Contact DL2FI for replacement parts

If you have to remove a transistor, you are strongly advised to cut it on top of the pc board. The TO-92 soldering points are especially small, and attachments are removed more easily one at a time without damaging the board. After removal of the components, the pc board holes are probably filled with solder. Use a needle. Heat needle and board at the same time, till you can push the needle through the board. Steel needle don't take the solder, so the hole is freed.

If you don't know what to do?

Turn confidently to me. This is easy by email to support@qrpproject.biz by phone (+49) (0)30 859 61 323. To have an idea, to whom you are talking, here's a photo of me:



DL2FI, Peter, known as QRPeter. Ham radio operator since 1964.

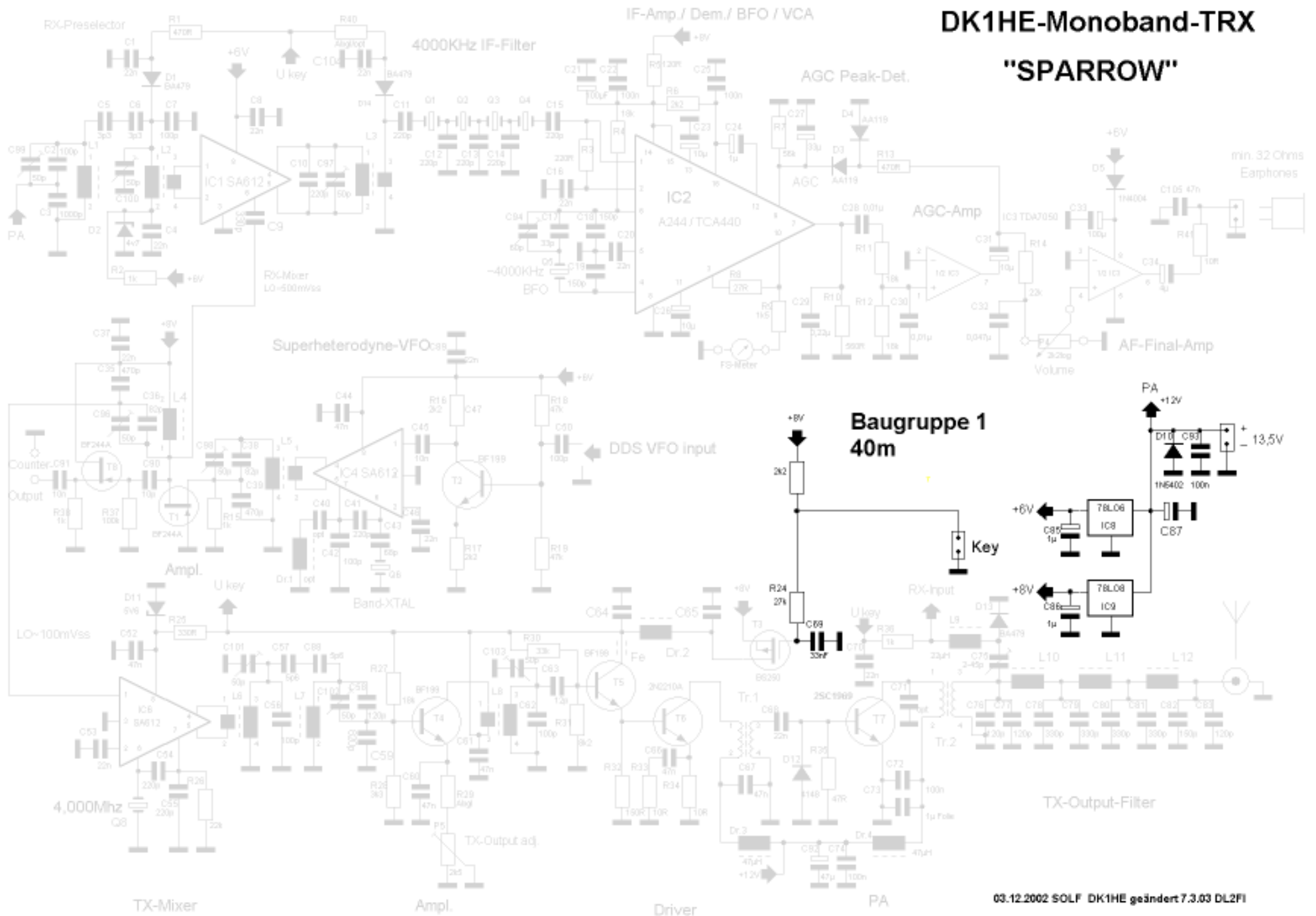
I have built and used QRP equipment for several years, and am convinced, the the great opportunity for ham radio is the rediscovery of home brewing. My motto is Ham radio will be again, when it is what is was.

Based on this conviction I founded the DL-QRP-AG, a work group for QRP and home brew, in 1997. Since then, the group has grown to more than 2300 members, who have developed several excellent pieces of gear, adding to the international succes of QRP and home brewing. Since january 2002 I have spent a lot of time as chairman of the DARC Berlin Chapter, as I feel a lot better doing things, than just complaining. The international QRP movement has taking me on as their first german member of their Hall of Fame.

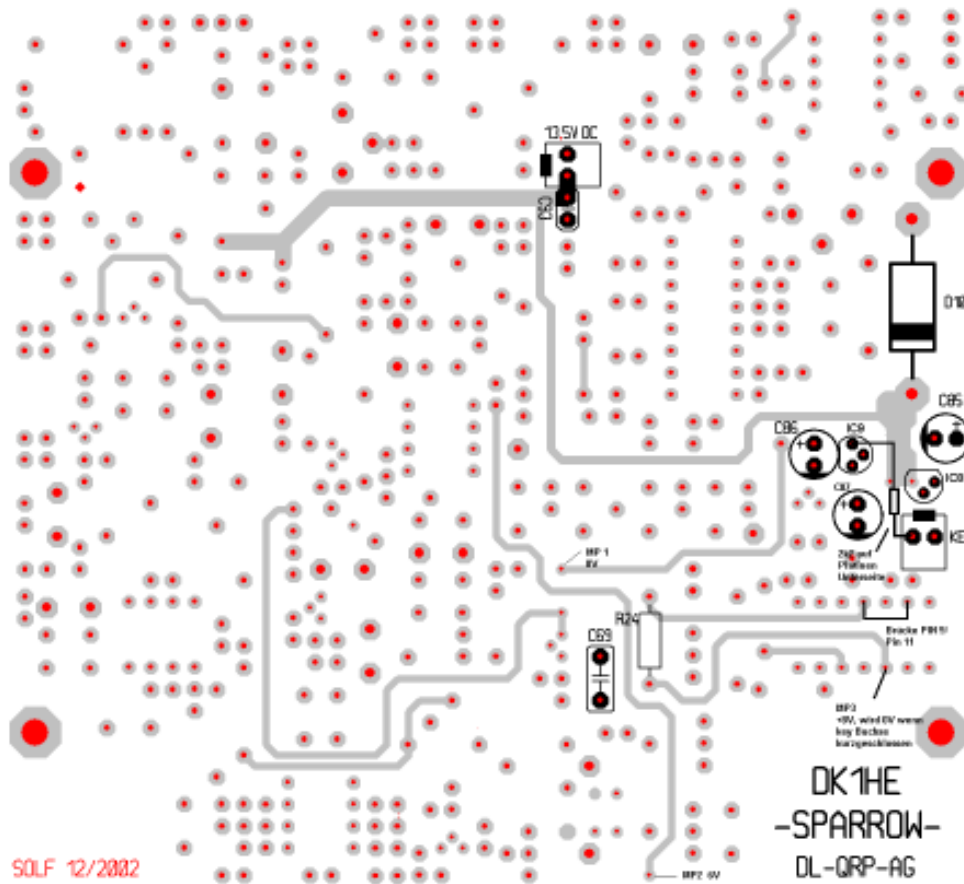
I wish you good luck in building the Sparrow and 73 de Peter, DL2FI.

DK1HE-Monoband-TRX

"SPARROW"



03.12.2002 SOLF DK1HE geändert 7.3.03 DL2FI



Section 1, Voltage regulation, keying section.

The first section to build contains the voltage stabilizers for the different voltages, and the keying circuit.

You begin with the components having the lowest building height, mainly resistors and small capacitors.

- [] R24 27k

Here follows a small capacitor with the marking 104, which means 100 nF. Capacitors of type X7R are mainly used for blocking RF. Their Q isn't good, which makes them unusable for resonant circuits.

- [] C93 100nF 104



Now come the electrolytic capacitors. Please note the polarity. On the body of the capacitor, you'll find a minus marking, and you'll find that the long lead is the positive pole.

- [] C85 1 μ F radial
- [] C86 1 μ F radial
- [] C87 47 μ F radial

The last capacitor is a 0,22 μ F MKS Foil capacitor. This type is used, when a high Q is needed, especially at AF. MKS capacitors should never be exchanged with X7R capacitors of the same value.

- [] C69 0,033 μ F MKS Foil Cap 5mm



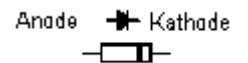
Many small signal transistors and voltage regulators are made in TO 92 cases. The component placement drawings show all components basically from above. When mounting, please note the direction of the rounded part of the casing.

Please do not mix up the two voltage controllers, which are both in TO92 (the 8 V regulator is marked L08, and the 6 V regulator marked L06). Voltage regulators like these look

simple, but are quite complex inside. They contain several dozen components, and delivers a constant output voltage, as long as the input voltage is at least 1 V over the output voltage.

- [] IC8 78L06
- [] IC9 78L08

The diodes have a ring around their body to mark the cathode. For diodes in plastic casing this is easy to see, but on diodes with glass casing, it can be quite difficult.



In this section, you'll use one large 1N5402 in plastic as a protection against wrong connection of power.

- [] D10 1N5402

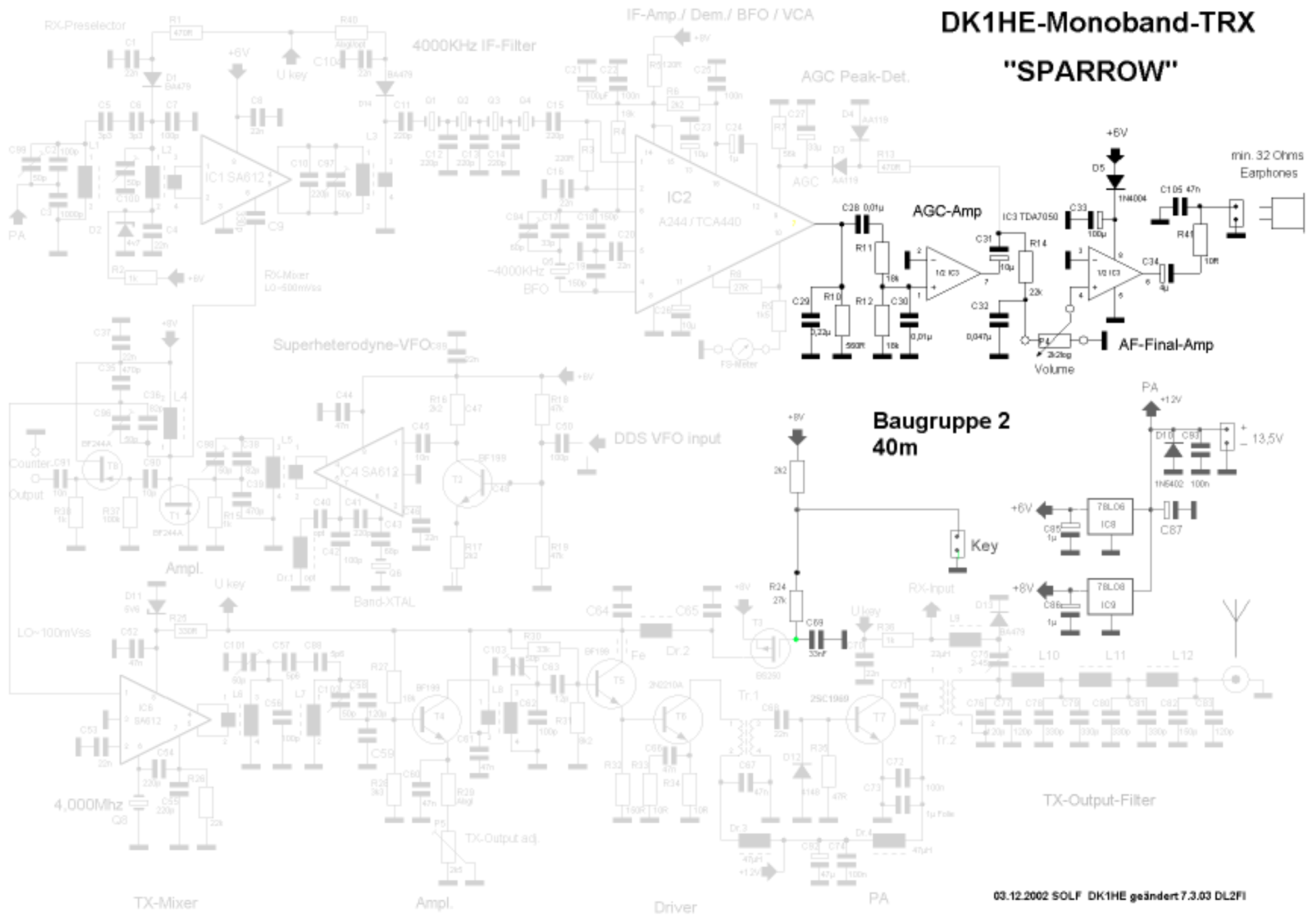
The two pole connectors have a security nose. Please note the correct position on mounting, to avoid problems later on. The side with the nose is marked in the placement diagram.

- [] 2 pole 12V connector
- [] 2 pole Key connector
- [] Bridge as marked on placement diagram, and place 2k2 resistor on bottom side of pc board.

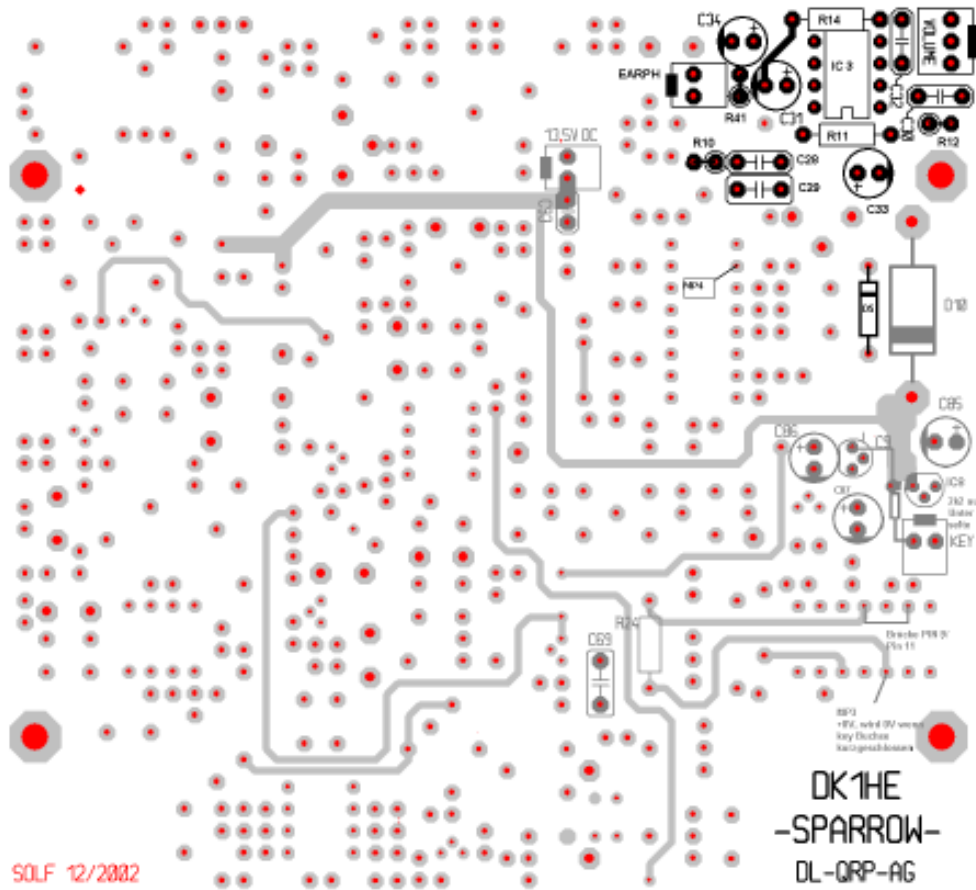
When all components are mounted, please run through check of appendix A

DK1HE-Monoband-TRX

"SPARROW"



03.12.2002 SOLF DK1HE geändert 7.3.03 DL2FI



Section 2: AF output stage, AF preamplifier stage

Please begin with the resistors once more. R10 and R12 should be mounted standing up. To do that one lead must be bent back along the resistor body. In the placement diagram, a circle marks which side the resistor is supposed to stand on.

- R10 560R
- R11 18k
- R12 18k
- R14 22k

Revision: 13.01.04

Now follows the film capacitors. The WIMA film capacitors are non-polarized, and can be placed either way. It is good practice, though, to mount them with their text side visible.

- C28 0,01 μ F film RM5
- C29 0,22 μ F film RM5
- C30 0,01 μ F film RM5
- C32 0,047 μ F film RM5

Now the diode in plastic casing, - mind the cathode ring!
 D5 1N4004 (or equal)

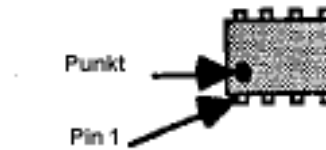
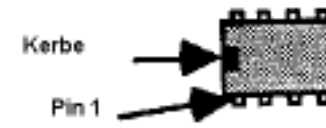
Now follows a new component, the integrated circuit TDA7050 in DIP casing. Because of the production process, the lead of such an IC are always bent a little outwards. To fit the IC to the pc board, you will have to pre-bend the leads a little. To do that, you roll the IC on a flat surface till the leads are at a right angle with the casing, as shown in the picture. Pin 1 of the IC is found by the markings on the top of the IC. You'll find either a notch or a dot. The placement diagram shows the position of the notch.



The IC is mounted in the pc board, and initially two diagonally placed leads are solder to position the IC.



Check if the IC is flat onto the pc board. Correct if necessary. Then solder the rest of the leads.



IC3 TDA7050
 The three electrolytic capacitors should be placed carefully. Now, what was this thing about electrolytic capacitors? Right, the long lead is the positive terminal.

- C31 10 μ F rad
- C33 100 μ F rad
- C34 47 μ F rad

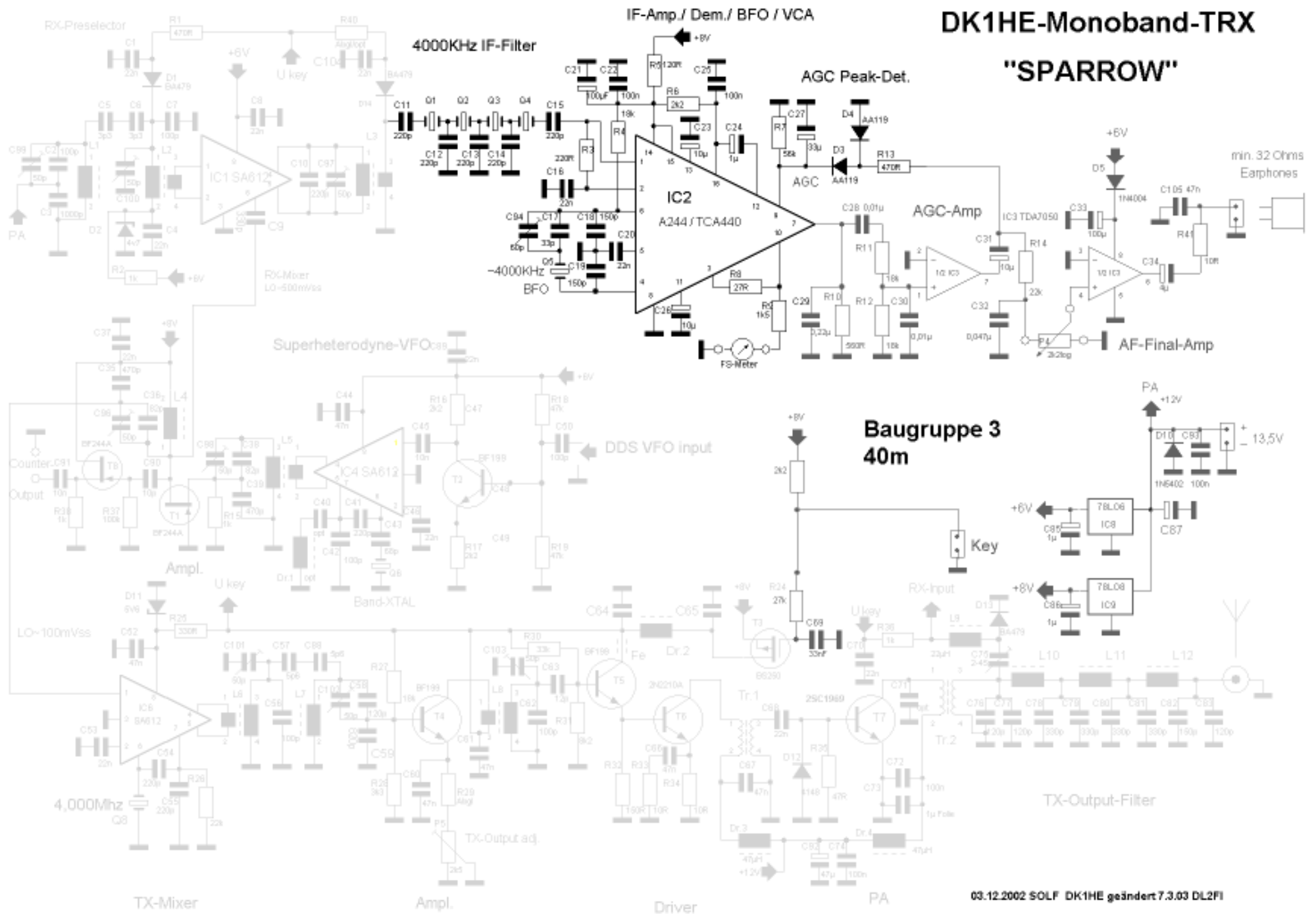
- R41 10R
- Last mount the to connectors. (Marking!)
- Headphone connector
- Volume potentiometer connector

C105 100nF, shown in the diagram, shouldn't be placed till the definitive mounting of the headphone connector, where it should be soldered directly to the connector.

Now after finishing the work, and visually inspecting, please turn to appendix B for test.

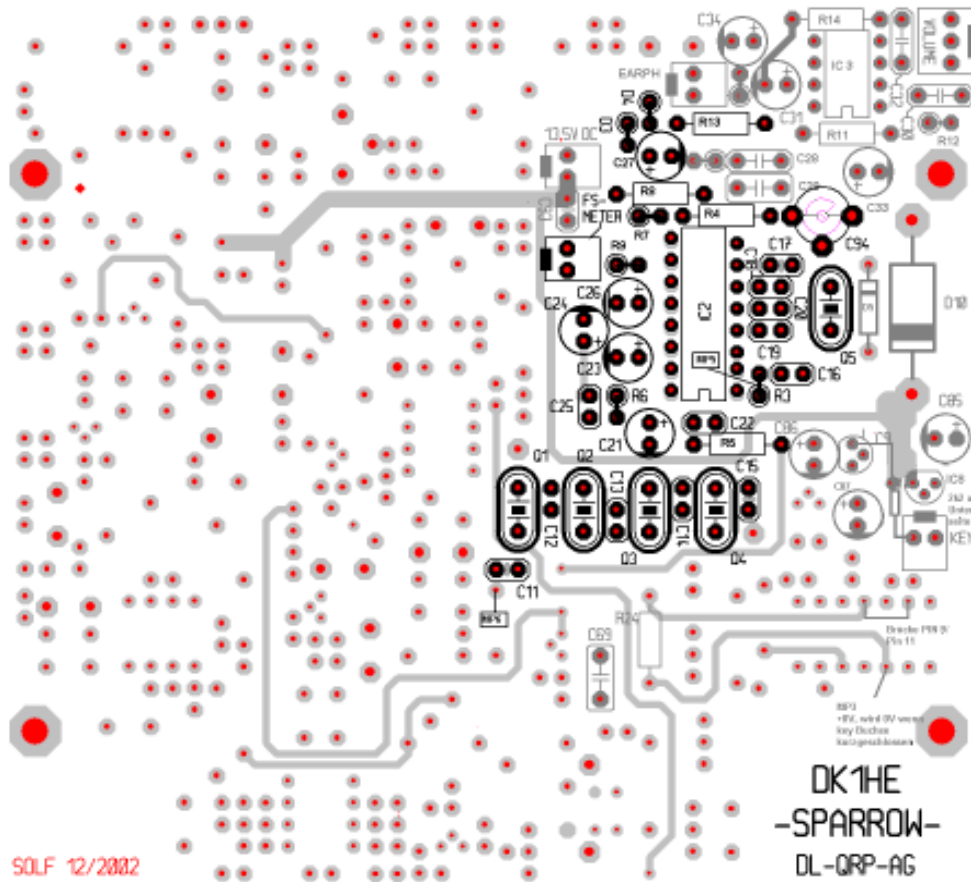
DK1HE-Monoband-TRX

"SPARROW"



03.12.2002 SOLF DK1HE geändert 7.3.03 DL2FI

Revision:13.01.04



Section 3, IF amplifier

We begin once again with the resistors

- | | |
|----------------------------------|-----------------------------------|
| <input type="checkbox"/> R3 220R | <input type="checkbox"/> R4 18k |
| <input type="checkbox"/> R5 120R | <input type="checkbox"/> R6 2k2 |
| <input type="checkbox"/> R7 56k | <input type="checkbox"/> R8 27R |
| <input type="checkbox"/> R9 1k5 | <input type="checkbox"/> R13 470R |

Then follows a few capacitors of very high Q, the capacitors for the crystal filter. Here we use either ceramic capacitors or NPO multilayer capacitors.

Here it is not a matter of temperature coefficient, but only the Q.

- | | |
|--|--|
| <input type="checkbox"/> C11 220pF NPO | <input type="checkbox"/> C12 220pF NPO |
| <input type="checkbox"/> C13 220pF NPO | <input type="checkbox"/> C14 220pF NPO |
| <input type="checkbox"/> C15 220pF NPO | |

C18 and C19 belongs to the oscillator of the second mixer and should also be either NPO or COG capacitors.

- | | |
|--|--|
| <input type="checkbox"/> C18 150pF NPO | <input type="checkbox"/> C19 150pF NPO |
|--|--|

The following four capacitors are plain X7R decoupling capacitors.

- | | |
|------------------------------------|------------------------------------|
| <input type="checkbox"/> C16 22nF | <input type="checkbox"/> C20 22nF |
| <input type="checkbox"/> C25 100nF | <input type="checkbox"/> C22 100nF |

C17 is for trimming, and is only necessary if the BFO can't be pulled far enough, and should thus not be mounted now. Before continuing with the electrolytic capacitors, it is a good time to mount the socket for IC2. We use a socket here, as large ICs are difficult to unsolder, and the socket gives us a better chance. Mind the notch on the socket, which should face as in the placement diagram. Again: Solder in to diagonal corners, check if the socket is flush with the board, and only then solder the rest of the leads.

- | |
|---|
| <input type="checkbox"/> IC socket 16 pole flat |
|---|

Now mount the electrolytic capacitors, mind the polarity!

C21 shouldn't be mounted yet! Important!

- | |
|---|
| <input type="checkbox"/> C27 33µF 16V rad |
|---|

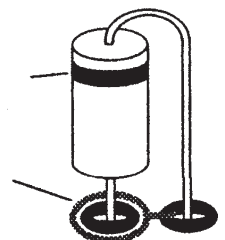
Now follows the tantalum capacitors as new components. These are also polarized, usually you'll find the value printed on the body and at one lead a PLUS sign. Tantalum capacitors are used, when focus is on low losses by high capacitance.

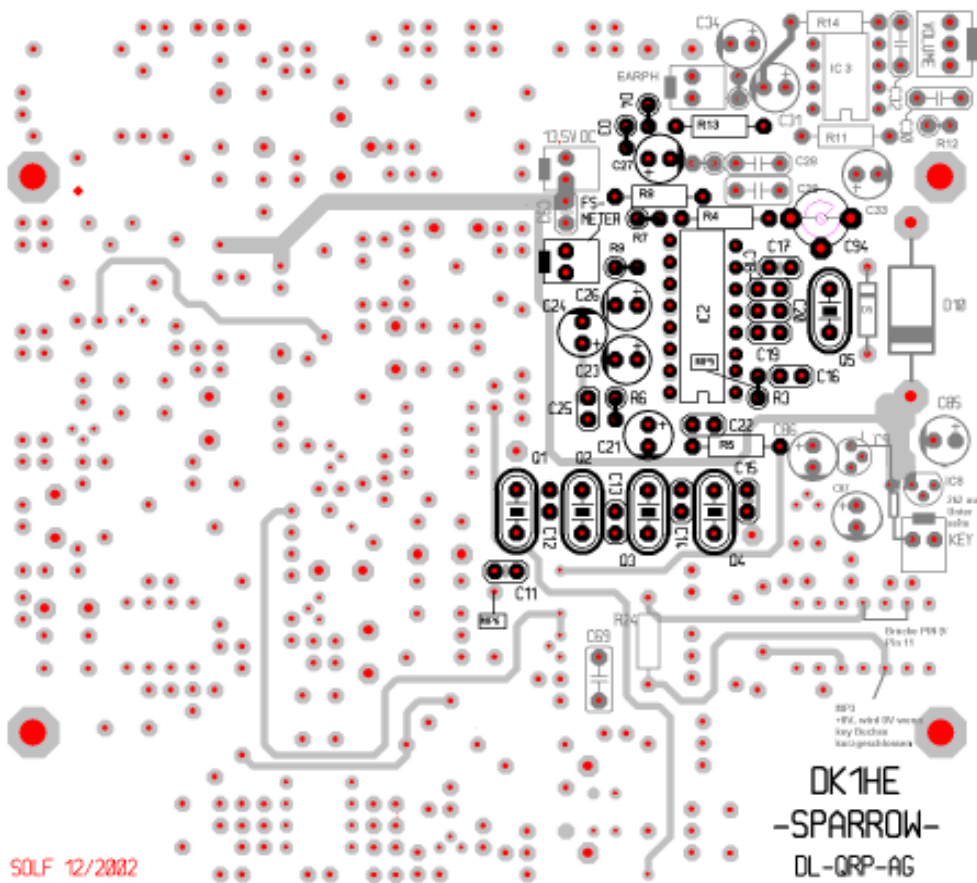
- | | |
|--|--|
| <input type="checkbox"/> C26 10µF tantalum | <input type="checkbox"/> C23 10µF tantalum |
| <input type="checkbox"/> C24 1µF tantalum | |

To the right, above the IC socket is the place for the film trimmer, that is going to be used to trim the BFO. Careful when soldering: The plastic melts easily.

- | |
|---|
| <input type="checkbox"/> C94 trimmer 7mm 2,5-50pF black |
|---|

The diodes D3 and D4 are germanium in glass casing. Be careful, when bending the leads, the glass casings break easily! Both diodes should be mounted standing, you'll need to bend the lead on the cathode side (the one with the band) very carefully back along the body of the diode. The diode should be mounted, where you find a circle in the placement diagram.





to put a cut resistor lead between the crystal and board as a spacer, when soldering in the crystal. Remember to remove the resistor lead, when done soldering!

- Q1 Q2 Q3 Q4 Q5

Over and to the right of Q1 and below Q4, you'll find two holes in the board. In these holes, you should solder in 2 cut resistor leads or other wire bits, and bend them at a right angle at about half height of the crystals. Again at half height of the crystals, the wires are soldered to all 4 crystals. Solder briefly, a hot soldering iron shortens the soldering time. The crystals could be damaged if they are cooked for too long.

- solder crystal cases to ground
- C21 100µF 16V rad

Then mount the connector for the field strength meter.

- 2 pole field strength meter connector

- IC2 Put A244 or TCA440 in the socket. Mind PIN 1!

Go to section test in appendix C of this manual.

When the test is OK, we will at first look at toroids and then build the DDS VFO, as both are needen for section 4.

- D3 AA143 bent end= cathode
- D4 AA143 bent end= cathode

For section 3 you'll find 4 crystals, Q1 to Q4, marked 4,000 MHz in a separate bag. These 4 should under no circumstances be put together with the other 4 MHz crystals. The reason: to be able to build a steep, narrow filter, the crystals have to be selected as sets. The four filter crystals were checked and paired at QRPPProject, and belong together.

WARNING: When soldering the crystals, capillary effects can pull up enough solder to short out the leads under the crystal. If underlay spacers are found in the kit, use them (but we have delivery problems). If no spacers are found, mount each crystal a small distance off the board. A good trick is

Small toroid and component school

Toroid inductors



In the next section we'll need to use some toroid inductors. We use high quality AMIDON toroids, like our American QRP friends. In the general appendix of the manual, you'll find the FAQ of the DL-QRP-AG with some general information on toroids. If you are unfamiliar with toroids, that is a good place to start.

In the 40 meter Sparrow we use several types of toroids:

In the low pass filter T37-6, yellow, in the band pass filters and resonant circuits T37-2, red (except L3, where we use the somewhat larger T50-2). The PA RFC is wound on a FT37-43 and the output transformer TR2 also on the larger powder core toroid T50-2.

Initially you can take note, that powder core toroids are used for narrow band applications and the ferrites for wide band applications. On the CD, you will find the Mini RK program by Wilfried, DL5SWB. With this small, helpful program it is a piece of cake to calculate the proper number of turns for a given inductance, or the inductance if you know the number of turns.

Winding toroids gives many kit builders fears. This is unfair, according to me. If you meet with no prejudice and remembers the basic rules, nothing can go wrong.

Important: a wire put through the toroid means a turn. For training, you should wind a toroid, we'll take L4, as is an inductor we need in section 4.

Cut about 25 cm of the 0,3 mm copper wire, take the toroid and put in one end of the wire. Now one turn is done, but STOP!

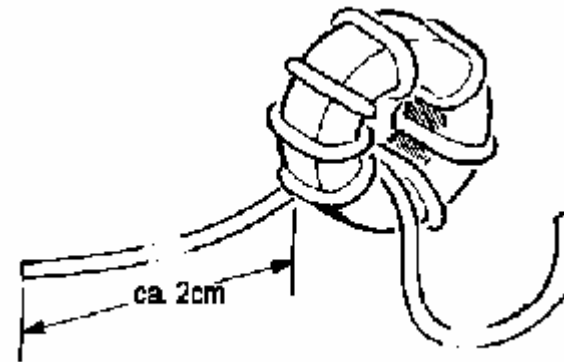
Look at your work, and think about how you put the wire through the ring. There are two possibilities. You can put in the wire from behind, forwardly, as girls used to sew, or from the front backward. For the RF is equal, but for the mounting, it is not, as the holes in the pc board are made for a specific direction. Each and every one of us should put the wire the way he wants. But this forces a winding direction, to have the proper geometry of the toroid.

If you put in the wire from the back forward, you must continue winding

clockwise for having the right geometry for the Sparrow. If you put in the wire from the front backward, you have to wind anti clockwise.

This is only so for the Sparrow. Other developers have other preferences. Wayne, the constructor of K2 wind opposite to DK1HE. When you know the background a simple test winding will soon show how the constructor planned it.

Put 23 turns on the toroid well distributed on the ring. If you count the turns on the INSIDE of the toroid, you can't be wrong. The inductor in the



picture, e.g., has 8 turns. Well distributed means, that the wished number of turns fills about 270 degrees of the ring. That is about the maximum for toroids. If you are careful about this when you wind, you won't need to pull the turns apart later on, even though it to some degree is possible. Turns shouldn't cross, but should be in one layer. Take care

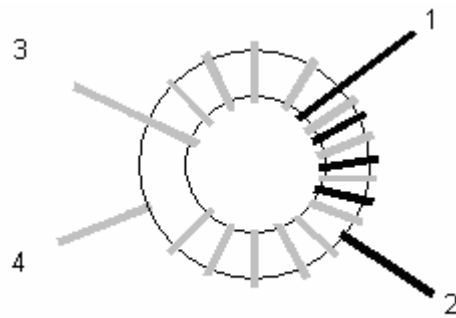
on each turn, that it is pulled tight. With powder cores this is no problem, as the edges are smooth. But with ferrites this can pose a problem, as the edges are somewhat rough.

Cut off the rest of the wire, but not too close, and solder the ends. What's best? That's up for debate. The lacquer on the wire used in the kits is solderable. That means, that it burns or melts at solder temperature. With thin wires, till about 0,8 mm the heat capacity of a standard soldering iron suffices to burn off the lacquer. For this purpose I touch the end of the wire with the soldering iron, as close as possible to the toroid core, and put on a lot of solder. You should see a proper drop. After a short while the lacquer disintegrates, and smoke erupts. It is advised to move your nose away, the smoke is unhealthy. When the smoke erupts, move the soldering iron slowly towards the end of the wire, till you have put solder on about 1 cm of the wire. If it won't flow, put on fresh solder. The lacquer remains are pushed off by the solder. When you are through, check if the wire has solder all the

way around. This is really important, as most failures of home brew transceivers come from badly soldered inductors wound with lacquered copper wire. With thicker wire, you need to scrape off the lacquer with a knife. Very carefully, so that the wire isn't nicked and will break. Do exactly the same to the other wire end, and your inductor is ready.

You will often need a transformer. These can be symmetrical or unsymmetrical. Symmetrical means without ground in this context. No end of the coil goes to ground or decoupling capacitor. Such symmetrical coils are built so that their turns lie centered over the main coil.

As an example take L5 from section 4. The main coils needs 23 turns, the secondary 8. To place the secondary symmetrically, we need to count INSIDE the ring. 23 divided by 2 is 11,5, the center thus is at 11,5 turns. The 8 turns of the secondary should be made as 4 plus 4 before and after the 11,5th turn. The half turn is impossible, as each turn put through the ring is an entire turn. We must accept a slight assymetry, and must decide for 11 or 12 as center. 11 minus 4 equals 7, so the secondary should be started on turn 7.



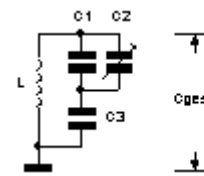
In the picture is shown a coil of 14 turns, with a secondary of 4 turns. Half of 14 is 7, minus one half of 4, gives the start of the secondary at turn 5 of the main coil. That is, you see 5 turns of the main coil before and after the secondary.

WARNING:

In the kit, the numbering of coils are not the same: L2 and L3 have the resonant coil numbered 1 and 2.

This sounds a lot more complicated than it is. When you have done it once, it becomes quite easy.

That much about practical things. In the next section, I will tell those of you, who want to understand your Sparrow, about the calculation of the coils.



$$C_{ges} = \frac{(C1+C2) \times C3}{C1+C2+C3}$$

The band filters and resonant circuits in the Sparrow are all parallel resonant circuits, as shown to the left of the example from the front end. As toroids are not variable, we must work with variable capacitors. The total capacity will be calculated as shown. We will when working with our pocket calculator, assume that the capacitors are in the center position. On the CD you will find an Excel spreadsheet, which also calculates on start and end values. For calculation of the inductance, we first need the total capacity of the circuit.

We begin by the capacitor coupling. C1 and C2 are in parallel, so capacities add up. $C1/2 = C1 + C2$. C1/2 and C3 are in series. For series coupled capacitors the formula tells

$$\frac{1}{C_{ges.}} = \frac{1}{(C1+C2)} + \frac{1}{C3}$$

We solve further by multiplying on both sides with C3:

$$\frac{C3}{C_{ges.}} = \frac{C3}{(C1+C2)} + 1$$

Then multiply by (C1 + C2)

$$\frac{C3 \times (C1 + C2)}{C_{ges.}} = C3 + C1 + C2$$

And the multiplication with Cges:

$$C3 \times (C1 + C2) = C_{ges.} \times (C3 + C2 + C1)$$

Then only the division by (C3 + C2 + C1) is left, and Cges is:

$$\frac{C3 \times (C1 + C2)}{C3 + C2 + C1} = C_{ges.}$$

When the total capacity is known, we use Thomsons formula to find the necessary inductance for the given frequency:

Umstellen der Thomsonschen Schwingungsformel

$$f = \frac{1}{2 \pi \sqrt{L C}}$$

1. Multiplikation mit Wurzel L C

$$f \times \sqrt{L C} = \frac{1}{2 \pi}$$

2. Division durch f

$$\sqrt{L C} = \frac{1}{2 \pi f}$$

3. Quadrieren

$$L C = \frac{1}{4 \pi^2 f^2}$$

4. Division durch C

$$L = \frac{1}{4 \pi^2 f^2 C}$$

$$= \frac{1}{39,48 f^2 C}$$

Now we only have the calculation of turns for the toroid left.

The formula for powder cores looks like this:

$$N = \frac{100}{\sqrt{\frac{A_L}{L}}} \quad L \text{ in } \mu\text{H}$$

A_L entsprechend des verwendeten Kems
für T37-2 $A_L = 40 \mu\text{H pro } 100 \text{ Wdg.}$
für T37-6 $A_L = 30 \mu\text{H pro } 100 \text{ Wdg.}$

On the CD, you'll find the small programm Mini RK, with which such calculations can be done directly.

Capacitors

The years have brought several different standards for marking of capacitors. This is the cause of much confusion, but I will try to shed a little light on it.

One method, much used for industrial and multilayer types (the small cushion shaped, mainly brown or blue, capacitors), gives the value and the power of ten of the value, based on 1 pF. The code consist of 3 digits, where the last digit represents the number of zeros:

- 100 = 10 and 0 zeros = 10pF
- 101 = 10 and 1 zero = 10 0pF
- 102 = 10 and 2 zeros = 10 00pF = 1nF
- 103 = 10 and 3 zeros = 10 000pF = 10nF
- 104 = 10 and 4 zeros = 10 0000pF = 100nF

Another standard uses the decimal name of the power of ten as decimal point:

- 1p5 = 1,5 pF
- 2n2 = 2,2 nF

Often a J is used in stead of the p for picofarad. The J marks a capacitor with a 5% tolerance. 100J represents 100pF+/- 5% and 150J represents 150pF +/- 5%

Revision:13.01.04 As shown, we now only need the wished frequency and the freshly calculated value for total capacity to calculate the inductance for resonance. The values for L, f and C are in Henry, Hz and Farad, that is quite unhandy. If f is in MHz and C in pF, we can directly calculate the size of the inductance in Henry.

The list of signs for tolerance are:

B $\pm 0,1\text{pF}$	J $\pm 5\%$
C $\pm 0,25\text{pF}$	K $\pm 10\%$
D $\pm 0,5\text{pF}$	M $\pm 20\%$
F $\pm 1\text{pF}$ (if > 10pF dann $\pm 1\%$)	S -20...+50%
G $\pm 2\text{pF}$ (if > 10pF dann $\pm 2\%$)	Y 0...+100%
H $\pm 1,5\text{pF}$	Z -20...+80%

Some of these are so uncommon, that I havent seen them. 5% is really the most common. This marking is mainly used for discoid capacitors.

Film capacitors usually use the μFarad as base

0,22 μF = 200nF

0,033 μF = 33nF

0,0015 μF = 1,5 nF

Ceramic capacitors usually have an additional color coding, representing the temperature coefficient. To us the most important are the ones with a black, yellow or violet stripe. Black means NP0, yellow means NP220 and violet means NP750. A lot of others exists, but are uncommon.

It is very important to choose the right capacitor for the job. The material of which the capacitor is made, makes a large difference. The reason is mainly the different Qs of materials.

Ceramic capacitors mainly have a high Q. They are preferred i RF circuits, e.g. as parallel capacitor in resonant circuits. Ceramic capacitors mainly come as disks or small squares.

Multilayer capacitors come as NP0 types, even those with a high Q. Their (### fordel ###) for us kits builders is, that they are lacquered and thus the print on them not so easy to damage, as it is in ceramic capacitors. Multilayer capacitors are mainly cushion shaped. (### desværre ###) it isn't possible to distinguish them from simple X7R or ZU5 capacitors just by looking.

X7R and ZU5 are materials of lesser Q. They are good as decoupling capaci-

tors, when some component RF wise should be grounded, but not DC wise. Values between 1nF and 100nF are the most common.

Those who order capacitors them selves or salvages them from old gear, have to be very careful which capacitor is used for what purpose. In kits you don't have to worry that much, the developer and QRProject has made the choice.

The DDS VFO for the Sparrow

In the next section we will build the DDS VFO. Those who ordered it ready made, will probably want to read the description and user manual anyhow, to be able to use the VFO afterwards.

Our QRP friend Steven Weber, KD1JV, from the White Mountains of New Hampshire is a proponent of a philosophy much like the DL-QRP-AG: When you can find an equally good, cheap, solution, you prefer that one. He has created a DDS stage, which can be used for any VFO in the interval 100 kHz to 9,5 MHz. He doesn't use any expensive components, and no expensive high frequency oscillator. On my wish he has given over the project to DL-QRP-AG, for our members to have access to a cheap DDS VFO in kit form. The firmware has been modified a little for the Sparrow.

Functions of the DDS:

VFO

8,000 MHz to 8,1 MHz DDS gives the local oscillator coverage from 11,000 MHz to 11,100 MHz. Mixed with the IF of 4 MHz, that will give an RX/TX frequency of 7,00 to 7,100 MHz. Starting frequency 7,030 MHz.

Tuning:

The frequency of the VFO changes on turning the knob, according to the preset tuning rate. The frequency gets higher, turning clockwise.

Choice of tuning rate

A short push on the VFO tuning knob shifts tuning rate. There are 4 Tuning rates: Step1= 10Hz, Step2 = 30Hz, Step 3= 100Hz Step 4= 1000Hz. The chosen rates are acknowledged by blinking of the RIT-LED: Step4= 4times blinking, Step 3 = 3 times blinking aso. At power on the Sparrow DDS start with Tuning Rate 3 =100 Hz/step followed sequential by 30 Hz, 10 Hz, 1 kHz and then 100 Hz again every time you touch the shaft.

Showing the band edges:

When the VFO is at its lower or upper edge, the LED blinks. Otherwise it wouldn't have been possible to tune to the band edges with any other rate than 10 Hz. In the Sparrow only the RIT LED is used.

RIT

(R)eceiver (I)ncremental (Tuning).

The RIT is activated by the RIT switch, and the RIT LED shows if it is on. On using the tuning knob, only the receiving frequency changes. The tuning rate corresponds to the one chosen before activating the RIT, but can be changed by pushing the RATE knob. On switching off the RIT, the previous tuning rate of the VFO is restored.

XIT

(X)mitter (I)ncremental Tuning.

When activating the XIT, the reception frequency remains unaltered, but the transmitting frequency is changed. Activate XIT by pushing the Memo switch, when the RIT is activate.

CW-keyer

The VFO has an integrated electronic keyer for speeds between 10 WPM (50 cpm) and 40 WPM (200 cpm).

HAND key:

If the DIT contact is closed during power on, the internal keyer electronic is switched off and the DIT contact can be used for a pump key or an external keyer.

Changing the keying speed

The keying speed is changed by pushing the Rate switch, and the paddles. The Rate switch has a 0,5 s delay before changing the rate. If a paddle is activated within this period, it will change the keying rate. The VFO stays in this mode till the Rate switch is released.

The dot paddle raises the speed, the dash paddle lowers it.

While changing keyer speed, the transmitter keying is disabled, and the side

While changing keyer speed, the transmitter keying is disabled, and the side tone oscillator will sound an A to give the user a feel for the actual keying rate. Holding down the paddle will repeat the change till the upper or lower limit is reached. This rate change is in steps of 2 WPM (10 cpm).

Memo

There is one memory position.

One long push (> 1 s) stores the present frequency in memory. The RIT LED blinks twice to confirm, if the RIT is off.

A short push switches between present frequency and stored frequency. The yellow LED blinks once, when the frequency changes. It starts on 030 in the 40 meter version. When no memory frequency is stored, the VFO will go to 7,030 MHz in stead.

AFA

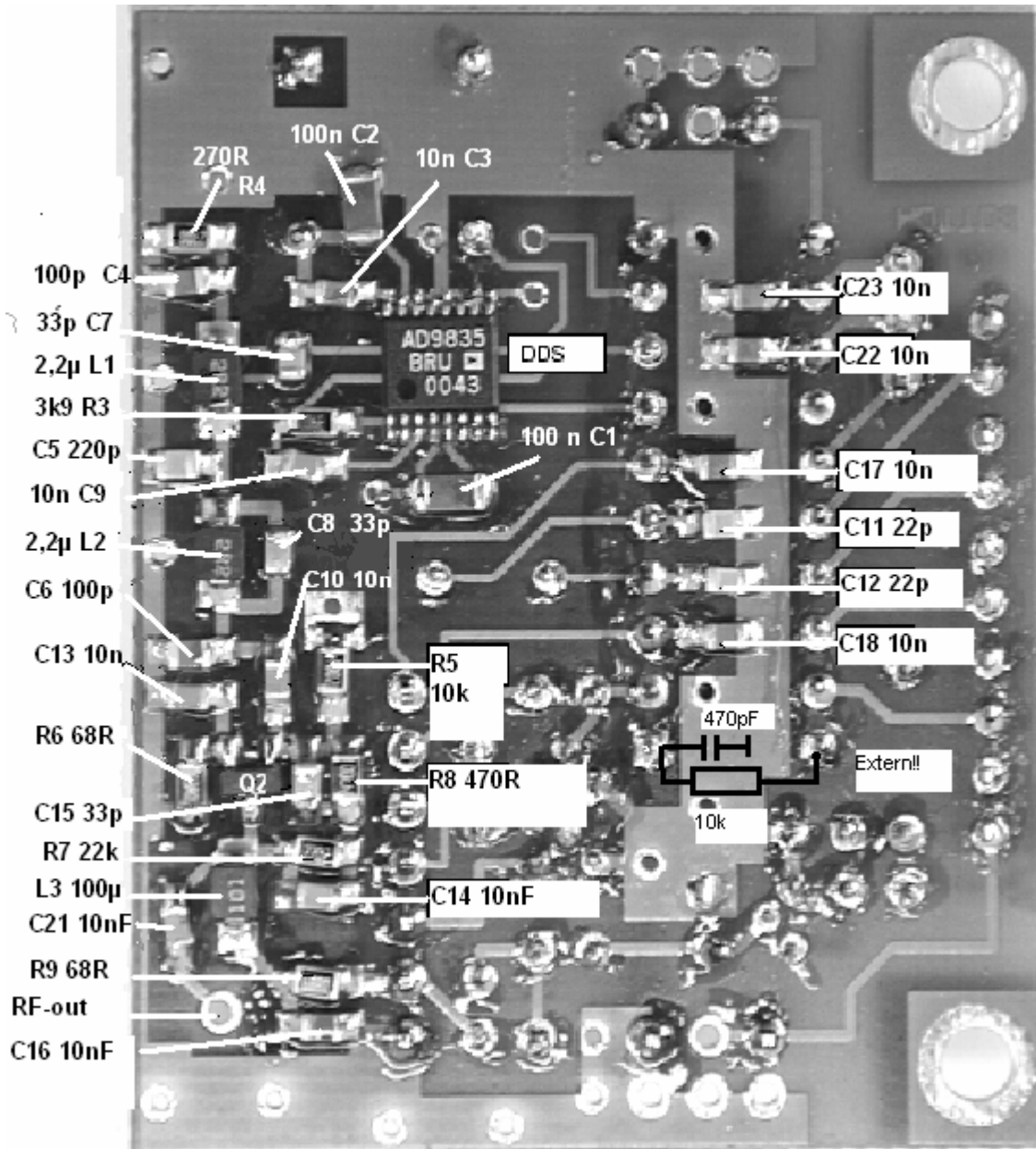
(A)udio (F)requency (A)nnunciation

A longer push on the tuning knob reads the frequency out in morse via the side tone. The values for 100kHz, 10kHz and 1kHz are read out, the accuracy is abt +- 1kHz. In RIT and XIT mode the AFA gives out the difference between TX and RX frequency with a higher resolution.

Parts list for the Sparrow DDS VFO

0.1 uF	SMD 0805	2
0.01 uF	SMD 0805	11
100 pF	SMD 0805	2
22 pF	SMD 0805	2
220 pF	SMD 0805	1
33 pF	SMD 0805	3
100 uH	SMD 1008	1
2.2 uH	SMD 1008	2
10 k	SMD 0805	1
22 k	SMD 0805	1
270 R	SMD 0805	1
3k9	SMD 0805	1
470 RSMD	0805	1
68 R	SMD 0805	2
2N3904	SOT-23 SMD	1
0.1 uF	CERAMIC MONO	1

22 uF /10VSUB-MINATURE	4x7 mm	1
Diode	1N4148	1
LED	red	1
3,3 V Voltage regulator		1
100 R	5% 1/4W	1
10 k	5% 1/4W CARBON FILM	1
220 R	5% 1/4W	2
2N7000	TO-92 MOSFET	1
CLOCK	25.000 MHz CMOS 1/2 SIZE DIP	1
CPU	ATMEL A90S2313-PC10, programmed	1
DDS	ANALOG DEVICES AD9835BRS	1
Shaft encoder		1
Crystal	4096 kHz	1
Transistor	2N3904	1
PC Board		1



- [] AD9835
- [] R4 270R
- [] C3 10nF
- [] L1 2,2μF
- [] C5 220pF
- [] C1 100nF
- [] C8 33p
- [] C10 10nF
- [] R5 10k
- [] R8 470R
- [] C15 33pF
- [] C14 10n
- [] C21 10nF
- [] C16 10nF
- [] C22 10nF
- [] C11 22pF
- [] C18 10nF
- [] C2 100nF
- [] C4 100p
- [] C7 33pF
- [] R3 3,9k
- [] C9 10nF
- [] L2 2,2μF
- [] C6 100p
- [] C13 10nF
- [] Q2 2N3904
- [] R6 68R
- [] R7 22k
- [] L3 100μF
- [] R9 68R
- [] C23 10nF
- [] C17 10nF
- [] C12 22pF

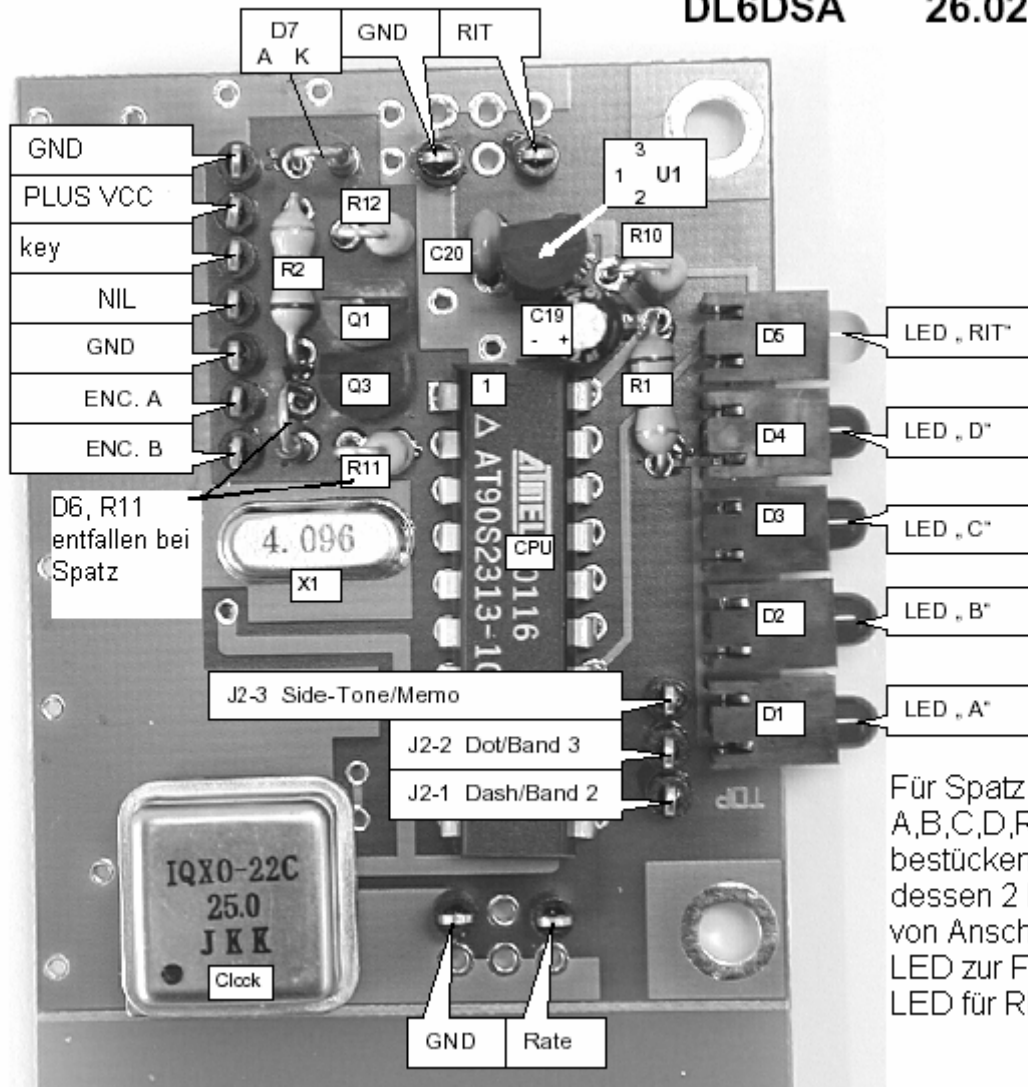
BEWARE, modification:

470pF from PIN 1of the processor to ground, and 10 kOhm from PIN 1 to PIN 20 (not 4p7 as shown on the photo)

Bestückung Mini DDS VFO nach KD1JV, Oberseite

Version Spatz, Mods DL2FI

DL6DSA 26.02.2002



- [] 25 MHz Oscillator
- [] IC Socket
- [] R2 10k
- [] Q3 2N7000
- [] Q1 2N3904
- [] R12 100R
- [] D7 1N4148
- [] X1 Crystal 4,096 MHz
- [] U1 3,3 V Voltage regulator, take care on mounting, oblique!
- [] C19 22µF
- [] R10 220R
- [] C20 100nF
- [] R1 220R
- [] connection wire for RIT LED
- [] connection wire for Rate switch

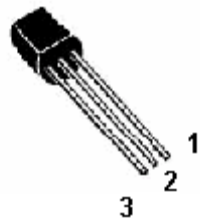
The DDS VFO should be mounted with the 20 mm stand offs and the long M3 screws to the lower right position:

TEST

To test the VFO roughly, the connector at J1 has to be connected. Look at the wiring diagram to connect the shaft encoder correctly. If you connect a piece of wire (about 10 cm) to the point marked RF on the bottom side of the pc board, you should be able to hear the DDS VFO on a receiver. The initial frequency is 8,030 MHz, with the shaft encoder, the VFO should tune from 7,995 MHz to 8,100 MHz.

Prepare J1.

In the kit you will find the connector and several crimp contacts. As nobody has the special crimp tool for the little contacts, we will solder the wires on to the contacts. For that purpose the wire should be put in the upper part of the contacts, and the upper part of the contact



3,3 V Regulator
U1 Pin layout

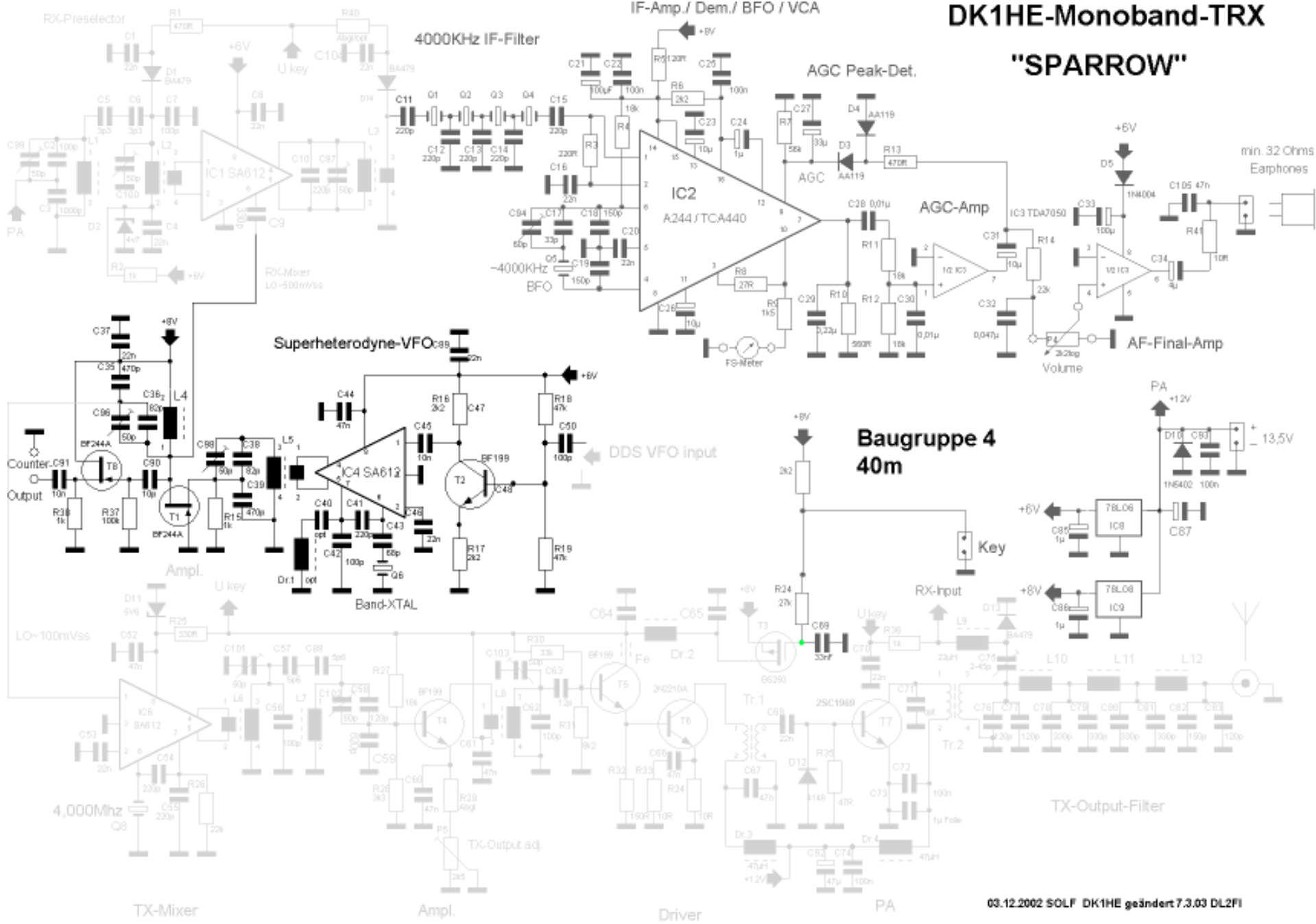
should be pushed together with a pair of pliers. Then the wire and contact is soldered with a LITTLE solder. The contact is pushed into the connector till the little notch locks, so that the contact won't pull easily out of the connector.

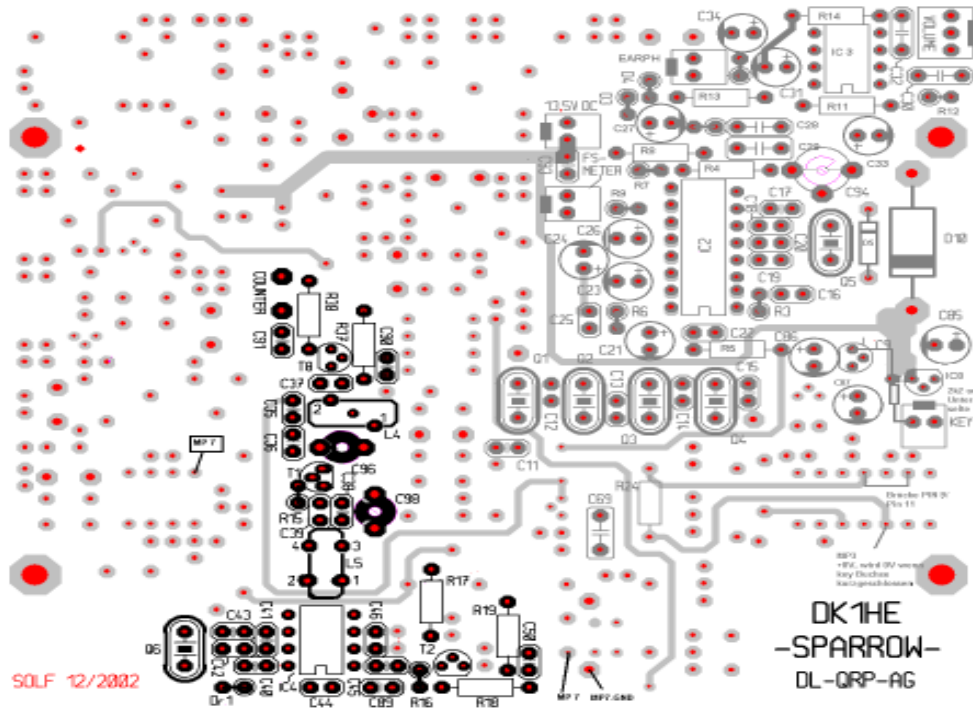
Test the VFO as described in the appendix.

When everything works, we will build the heterodyne mixer that shall give the local oscillator frequency in conjunction with the DDS.

DK1HE-Monoband-TRX

"SPARROW"

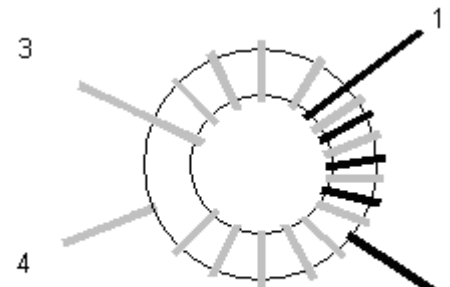




care must be taken, that the wire ends are, where they should be to fit the holes in the pc board. The right winding direction is important. If the wire is put in from the back forward, the winding should be clockwise.

[] L4 Toroid T37-2 (red) 23 turns 0,3mm copper wire

L5 becomes a secondary. As seen in the diagram, this should be symmetricaly wound on the primary. It is important, that the turns are wound in the same direction as the primary. The drawing makes this clear.



BEWARE: the number of turns in the drawing does NOT correspond to the actual numbers.
3/4 is the primary, 1/2 is the secondary.

[] L5 Toroid T37-2 (red) 23/8 0,3mm copper wire

Section 4 VFO-Mixer and counter read out

- [] R19 47K
- [] R16 2k2
- [] Dr.1 left out
- [] R37 100K
- [] C50 100pF
- [] C45 10nF
- [] C44 47nF
- [] C41 220pF
- [] C39 470pF COG
- [] C36 82pF
- [] C37 22nF
- [] C91 10nF
- [] C98 ceramic trimmer 10-50pF
- [] C40 left out
- [] R18 47K
- [] R17 2,2K
- [] R15 1k
- [] R38 1K
- [] C89 22nF
- [] C46 22nF
- [] C42 100pF
- [] C43 68p COG
- [] C38 82pF
- [] C35 470pF NPO
- [] C90 10pF
- [] C96 ceramic trimmer 10-50pF
- [] DR1 left out

- [] IC4 NE612/SA612
- [] T1 BF244A
- [] T2 BF199
- [] T8 BF244A
- [] Q6 3,0MHz/32pF HC18U

- [] C47 left out
- [] C49 left out
- [] C51 left out
- [] C48 left out
- [] C40 left out

If a counter is to be connected, you can use the soldering connection at point Counter on the PCB

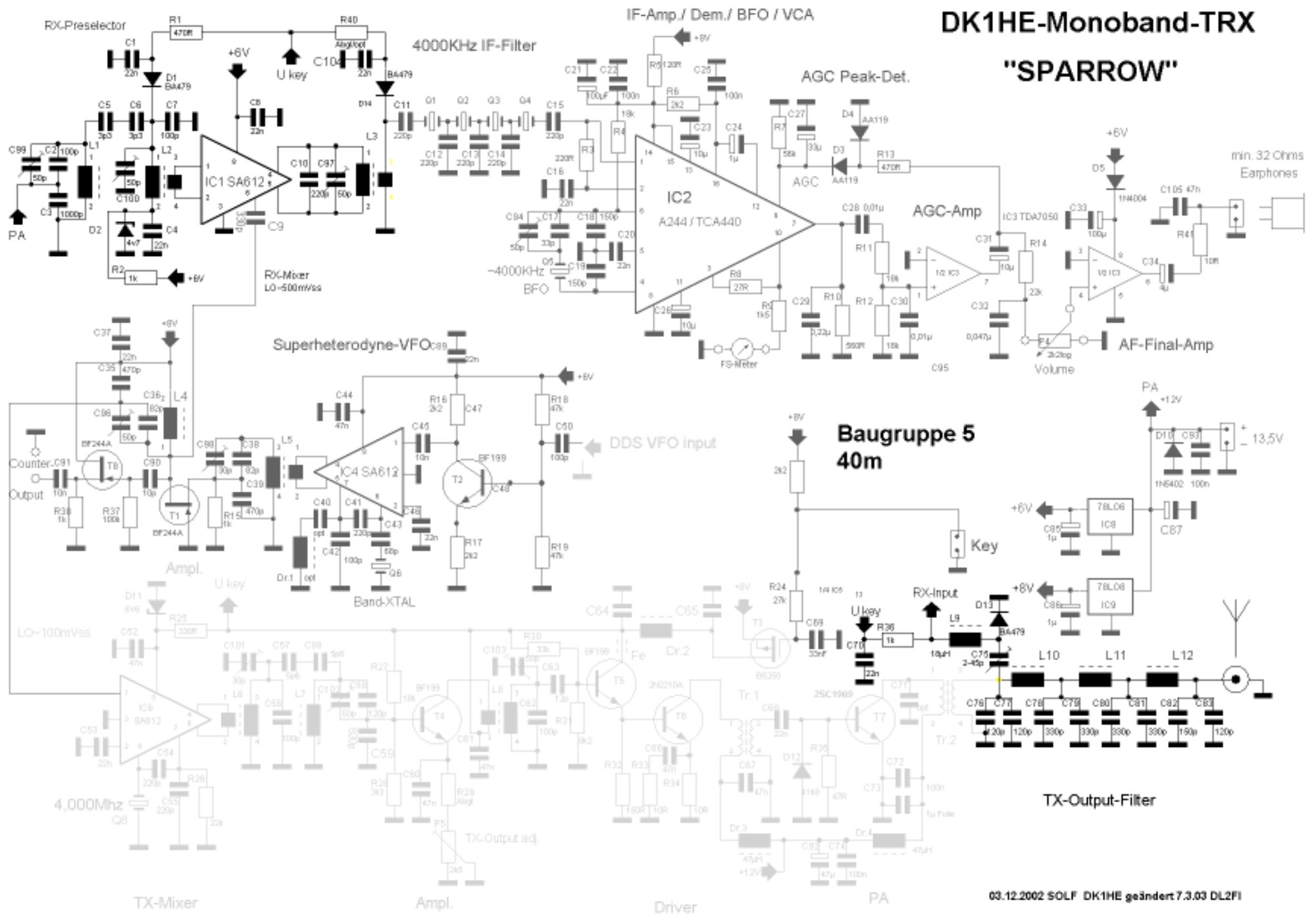
Finish this section by doing the tests of appendix D

Revision:13.01.04

L 4 is a simple, one layered coil with 0,3mm copper wire. When winding it,

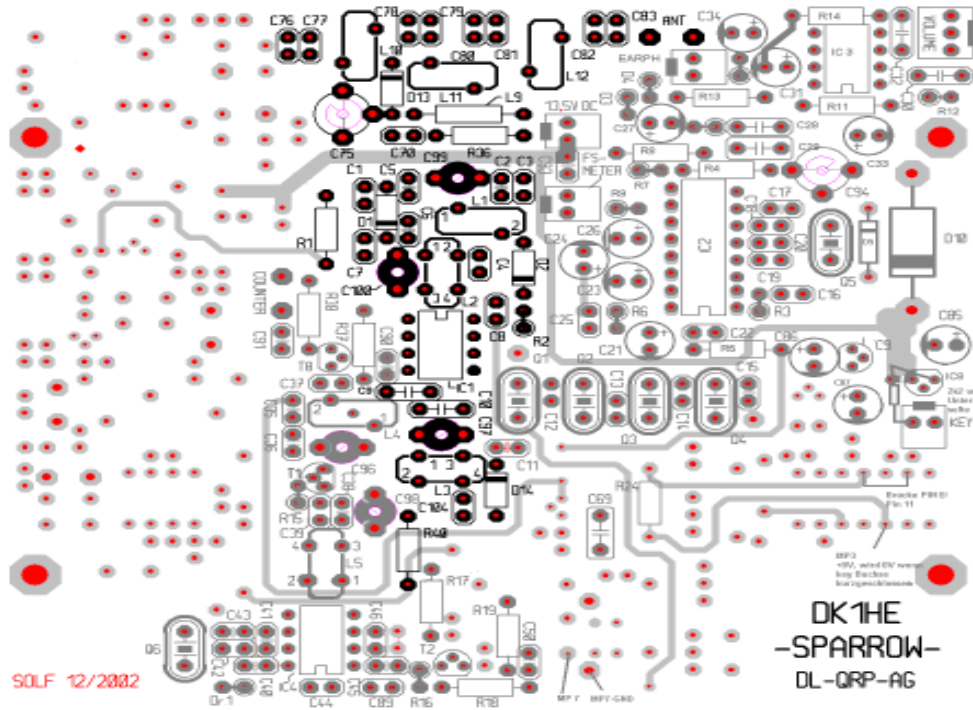
DK1HE-Monoband-TRX

"SPARROW"



03.12.2002 SOLF DK1HE geändert 7.3.03 DL2FI

Revision:13.01.04

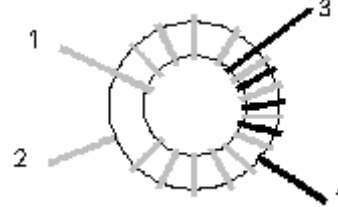


- [] C7 100pF
- [] C8 22nF
- [] C9 330pF COG RM5
- [] C10 220pF COG RM5
- [] C70 22nF
- [] C76 120pF
- [] C77 120pF COG
- [] C78 330pF COG
- [] C79 330pF COG
- [] C80 330pF COG
- [] C81 330pF COG
- [] C82 150pF COG
- [] C83 120pF COG
- [] C104 22nF optional
- [] C75 film trimmer violet

- [] C97 ceramic trimmer 5mm 10-50pF
- [] C99 ceramic trimmer 5mm 10-50pF
- [] C100 ceramic trimmer 5mm 10-50pF



- [] L1 toroid T37-2 red 33 turns 0,3mm copper wire
- [] L2 toroid T37-2 red 31/2 turns 0,3mm copper wire **BEWARE** 3/4 = secondary
- [] L3 toroid T50-2 red 35/10 turns 0,3mm copper wire **BEWARE** 3/4= secondary



Section 5: RX input including Lowpass Filter LPF.

- [] R1 470R
- [] R2 1k
- [] R36 1K
- [] R40 Trimming value (optional)

Please be careful with the orientation of the IC. Pin 1 is in the notch end of the IC

- [] IC1 NE612/SA612

The following diodes must be identified under magnifying glass, as they look very much the same. On the glass casing you will find small, but legible, print.

- [] D1 PIN-Diode BA479
- [] D13 PIN-Diode BA479
- [] D14 PIN-Diode BA479 (optionals)
- [] D2 ZPD 4V7

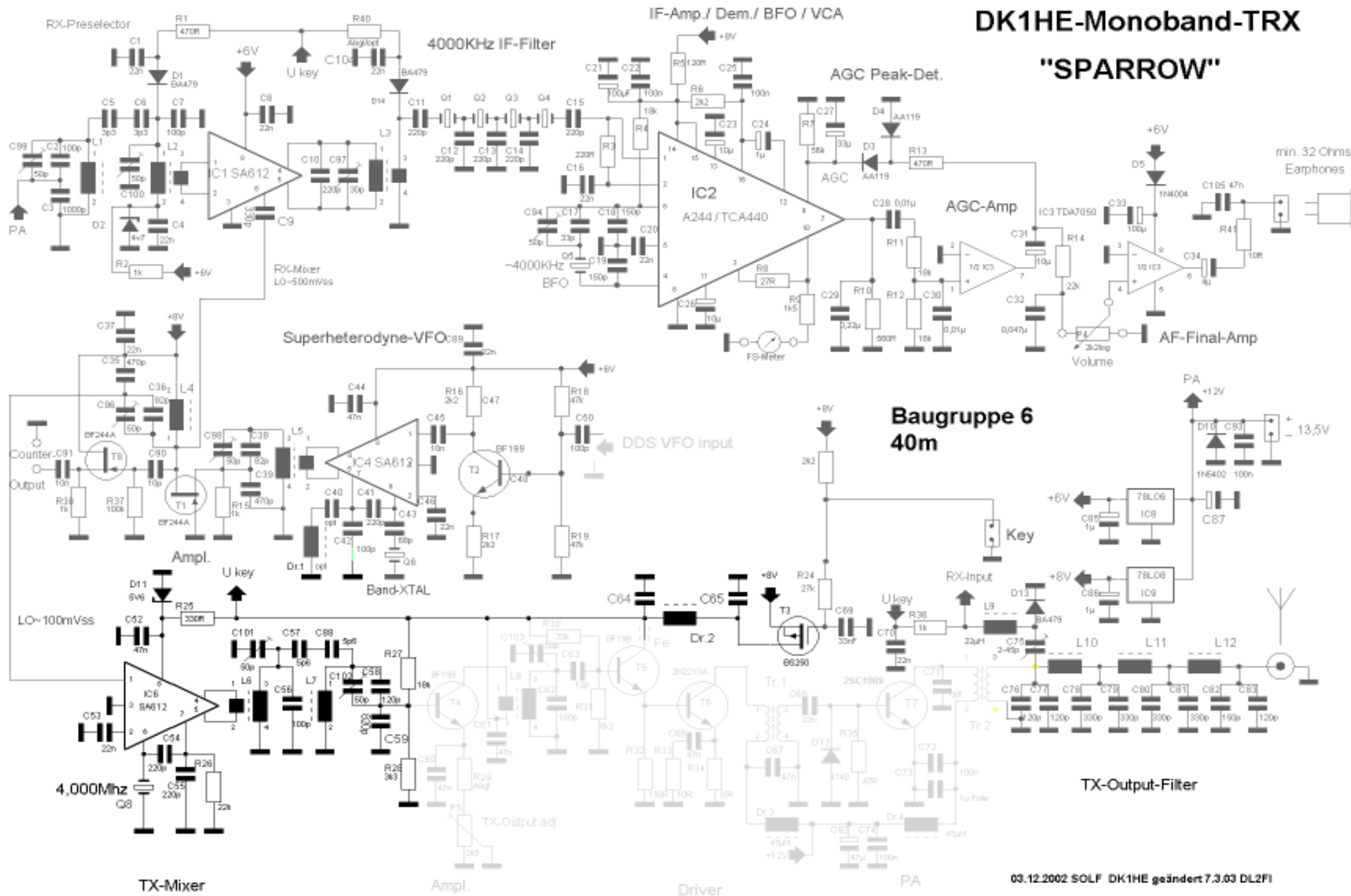
Then follows the capacitors

- [] C1 22nF
- [] C2 100pF
- [] C3 1000pF COG
- [] C4 22nF
- [] C5 3,9pF/3,3pF
- [] C6 3,9pF/3,3pF

When you have mounted all components, go to the test in appendix E

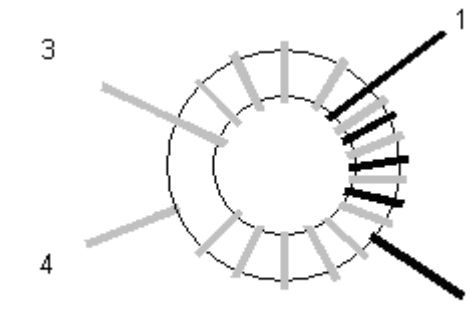
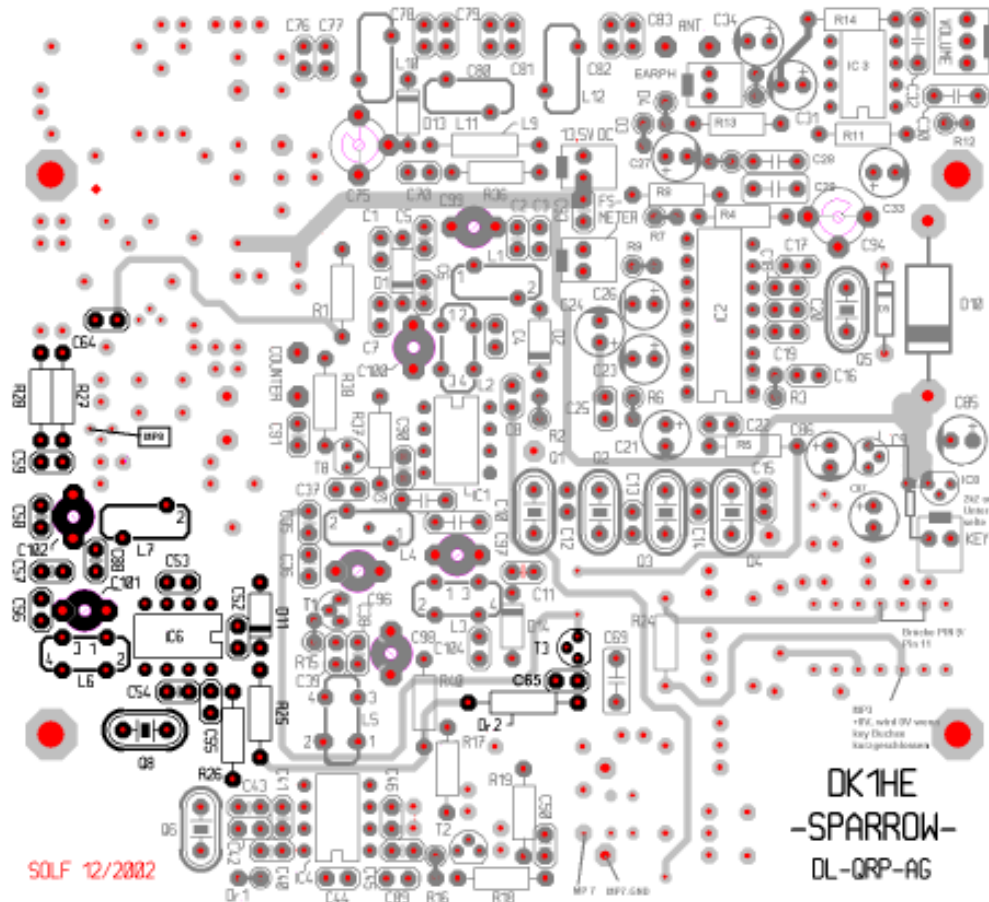
DK1HE-Monoband-TRX

"SPARROW"



03.12.2002 SOLF DK1HE geändert 7.3.03 DL2FI

Revision:13.01.04



[] L6 toroid T37-2 red
31/10 turns copper wire 0,3mm

1/2 are the coupling winding.

[] L7 toroid T37-2 red
31 turns copper wire 0,3mm

BEWARE: L7 should be wound opposite to the rest of the coils because the location of the PCB holes is

geometrically opposite.

- [] Dr.2 RFC 47 μ H SMCC
- [] IC6 NE612/SA612
- [] T3 BS250 T092
- [] D11 ZPD 5V6 (Carefully check marking, don't confuse with 1N4148)
- [] Q8 4,0 MHz Crystal HC18U

Go to the test in appendix F

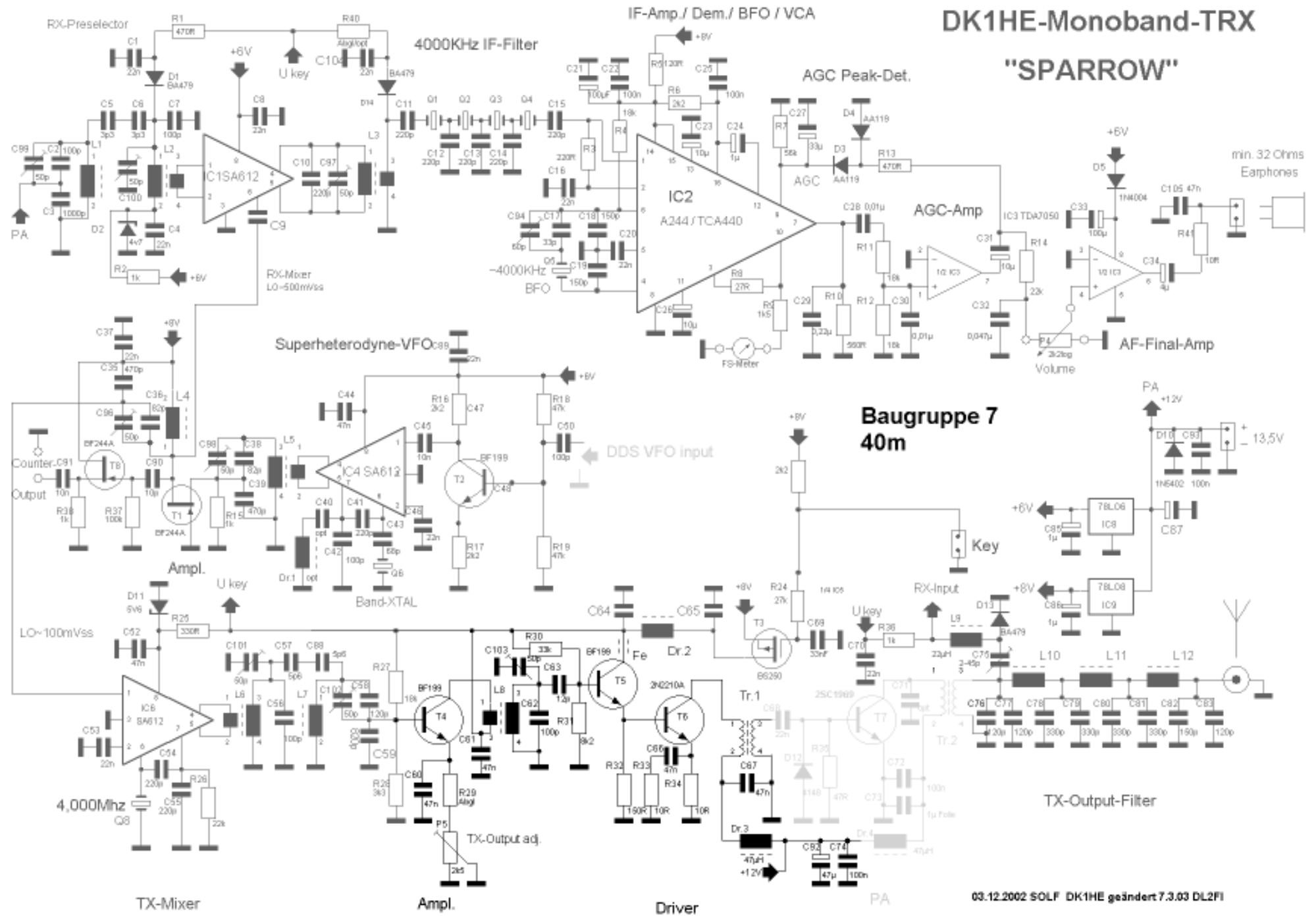
Section 6 TX Mixer up to the input of T4.

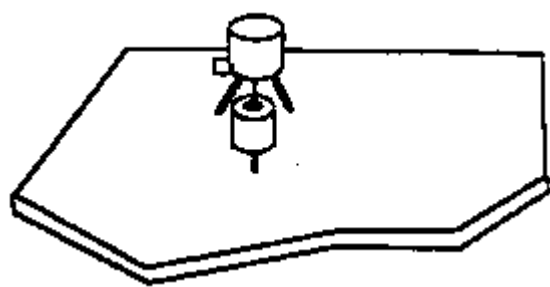
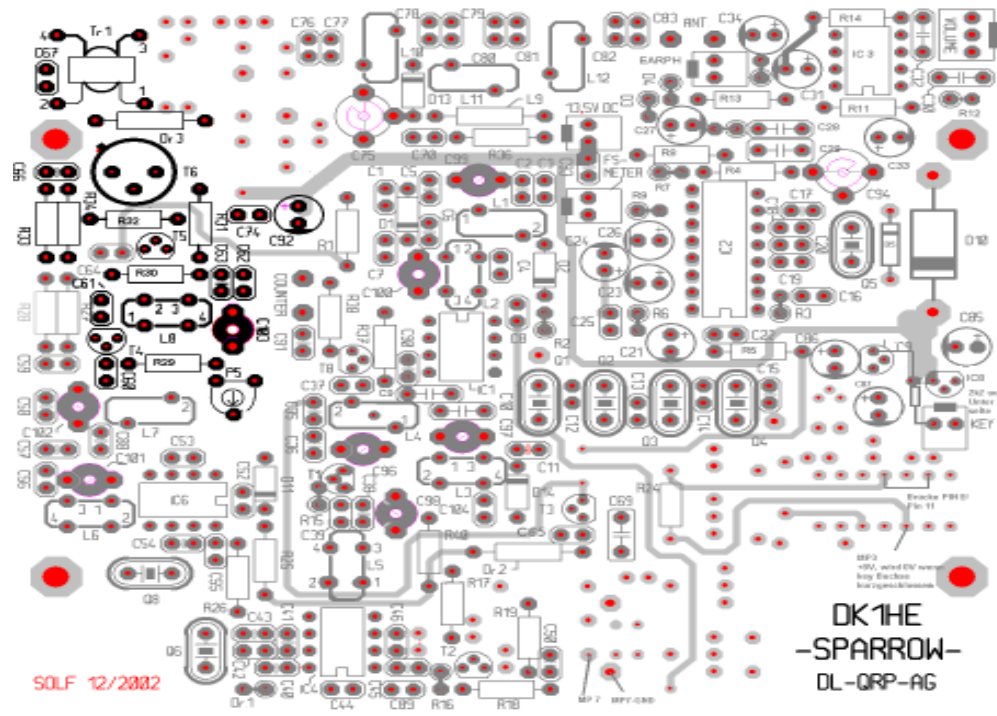
- | | | | |
|----------|-----------------------------|---------|-----------|
| [] R25 | 330R | [] R26 | 22K |
| [] R27 | 18K | [] R28 | 3,3K |
| [] C52 | 47nF | [] C53 | 22nF |
| [] C54 | 220pF COG | [] C55 | 220pF COG |
| [] C56 | 100pF COG | [] C57 | 5,6pF |
| [] C58 | 120pF | [] C59 | 820pF COG |
| [] C64 | 47nF | [] C65 | 47nF |
| [] C88 | 5,6pF | | |
| [] C101 | ceramic trimmer 5mm 10-50pF | | |
| [] C102 | ceramic trimmer 5mm 10-50pF | | |

Revision:13.01.04

DK1HE-Monoband-TRX

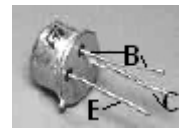
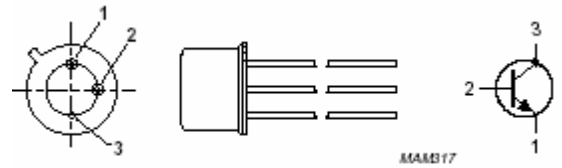
"SPARROW"





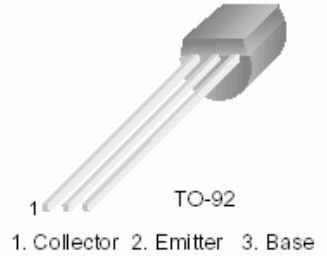
Ferrite bead placed over collector of T5

The driver 2N2219 is in a TO39 metal casing. BEWARE, the casing is connected to the collector, and is on positive potential. Here it is easy to short out, while measuring!



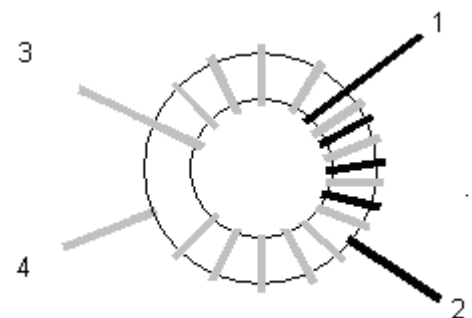
Section 7 Exciter and amplifier up to and including TR1/C86.

- | | | | |
|-------------------------------|---------------------------------------|------------------------------|------|
| <input type="checkbox"/> R29 | 2k2 Trimming value | <input type="checkbox"/> R30 | 33K |
| <input type="checkbox"/> R31 | 8,2K | <input type="checkbox"/> R32 | 150R |
| <input type="checkbox"/> R33 | 10R left out if too much output | | |
| <input type="checkbox"/> R34 | 10R | | |
| <input type="checkbox"/> C60 | 47nF | <input type="checkbox"/> C61 | 47nF |
| <input type="checkbox"/> C62 | 100pF | | |
| <input type="checkbox"/> C63 | 12pF (22pF if too little output) | | |
| <input type="checkbox"/> C66 | 47nF | <input type="checkbox"/> C67 | 47nF |
| <input type="checkbox"/> C74 | 100nF | | |
| <input type="checkbox"/> C92 | 47µF careful about polarity | | |
| <input type="checkbox"/> C103 | ceramic trimmer 5mm 10-50pF | | |
| <input type="checkbox"/> T4 | BF199 | | |
| <input type="checkbox"/> T5 | BF199 + Ferrit bead on collector lead | | |



View of the bottom

T6 2N2219A with underlay



- | | |
|-------------------------------|---|
| <input type="checkbox"/> L8 | toroid T37-2 red
30 / 16 turns 0,3mm copper wire
reduce secondary windings if too much output |
| <input type="checkbox"/> Dr.3 | RFC 47µH SMCC |
| <input type="checkbox"/> Tr.1 | Two hole core
primary 5 turns 0,2 mm copper wire,
secondary 1turn 0,5mm copper wire
A thorough description of how to wind TR1 is found in appendix I |

P5 trimmer potentiometer 10k PT6LV

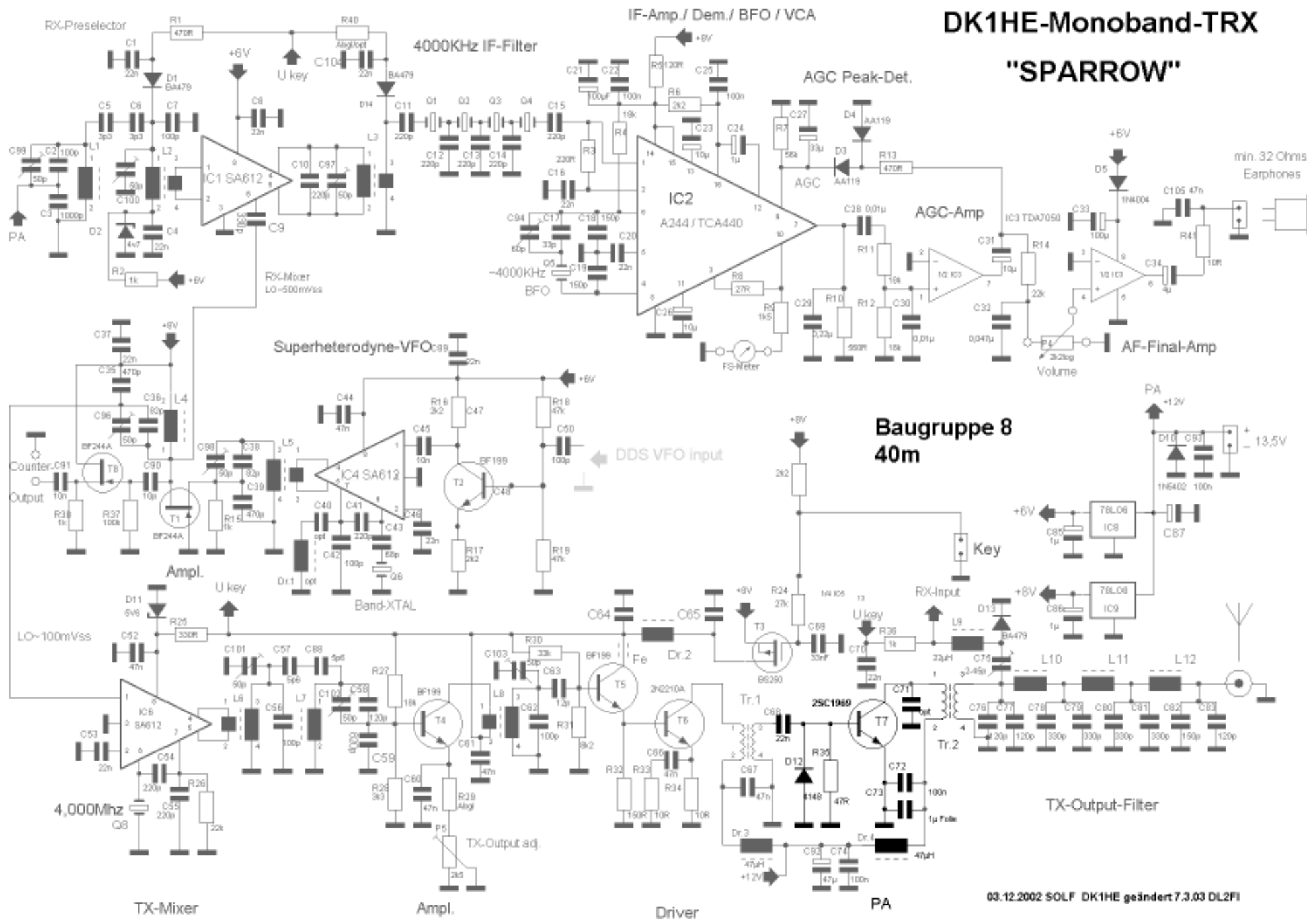
Go to test in appendix G

Revision:13.01.04

Diagram left of BF199, note that it is not the standard EBC configuration

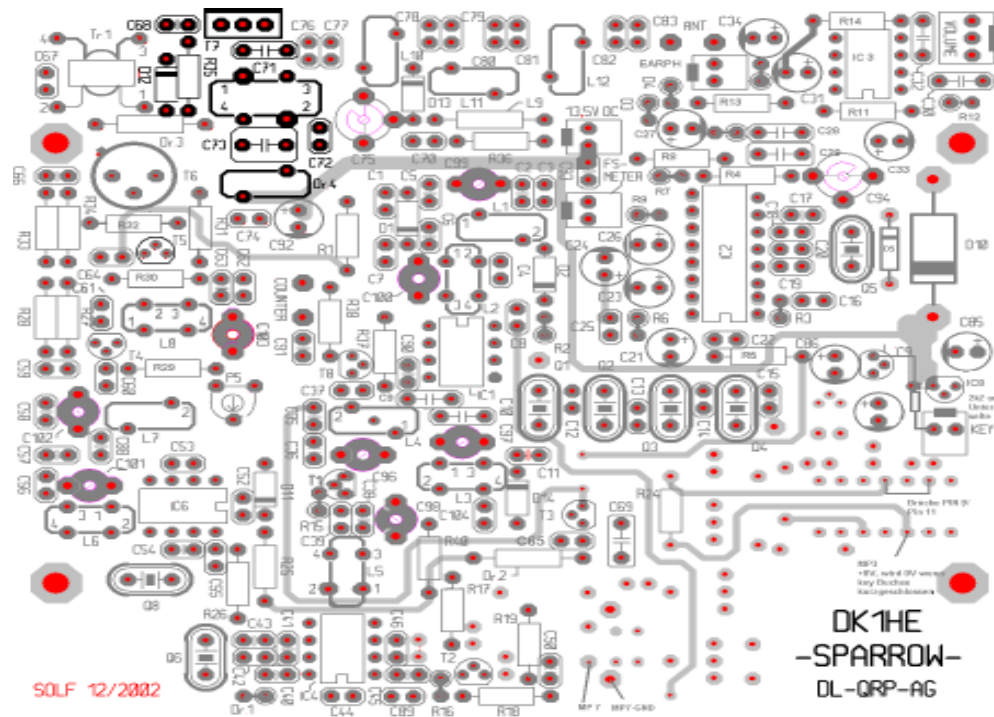
DK1HE-Monoband-TRX

"SPARROW"



03.12.2002 SOLF DK1HE geändert 7.3.03 DL2FI

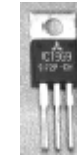
Revision:13.01.04



2SC1969



[] 2SC1969



Section 8 PA

- | | | | |
|----------|--|---------|--------|
| [] R35 | 47R | [] D12 | 1N4148 |
| [] C71 | left out | [] C72 | 100nF |
| [] C73 | 1 μ F 63V MKS2 RM5 | [] C68 | 22nF |
| [] Dr.4 | RFC 47 μ H on FT37-43 = 11 turns 0,5mm copper wire on the smaller black toroid | | |

BEWARE DR4 should be wound counterclockwise to fit the holes.

The power transistor 2SC1969 is more than enough for the QRP Sparrow, which makes it close to indestructible in this setup. Here you will also have to take care in measurements as the collector is connected to the casing. Because of this it has to be mounted on an isolator. It is mounted on the pc board, so that it is flush with the back edge. The back wall of the enclosure will work as a heat sink. Between the transistor and the enclosure, a grey silicone washer will fit over the screw.



[] Tr.2 FT50-43 primary 4 turns isol. mounting wire, secondary 7 turns 0,5mm copper wire on the larger black toroid.

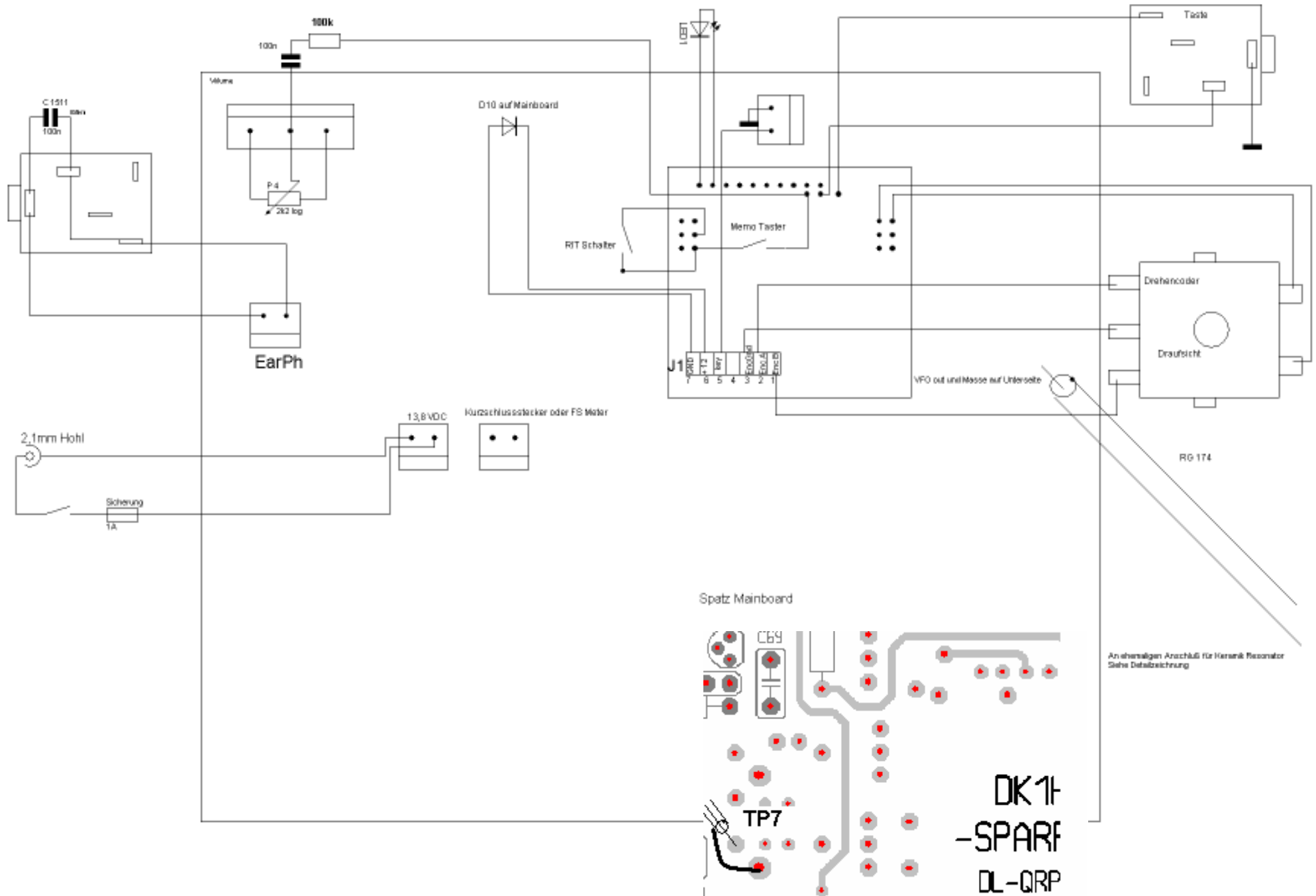
Begin with the secondary. Begin from the back forwards, winding counterclockwise, 7 times through the ring. Then the primary: the mounting wire from behind forwards through the ring.



and then CLOCKWISE 4 times through the ring.

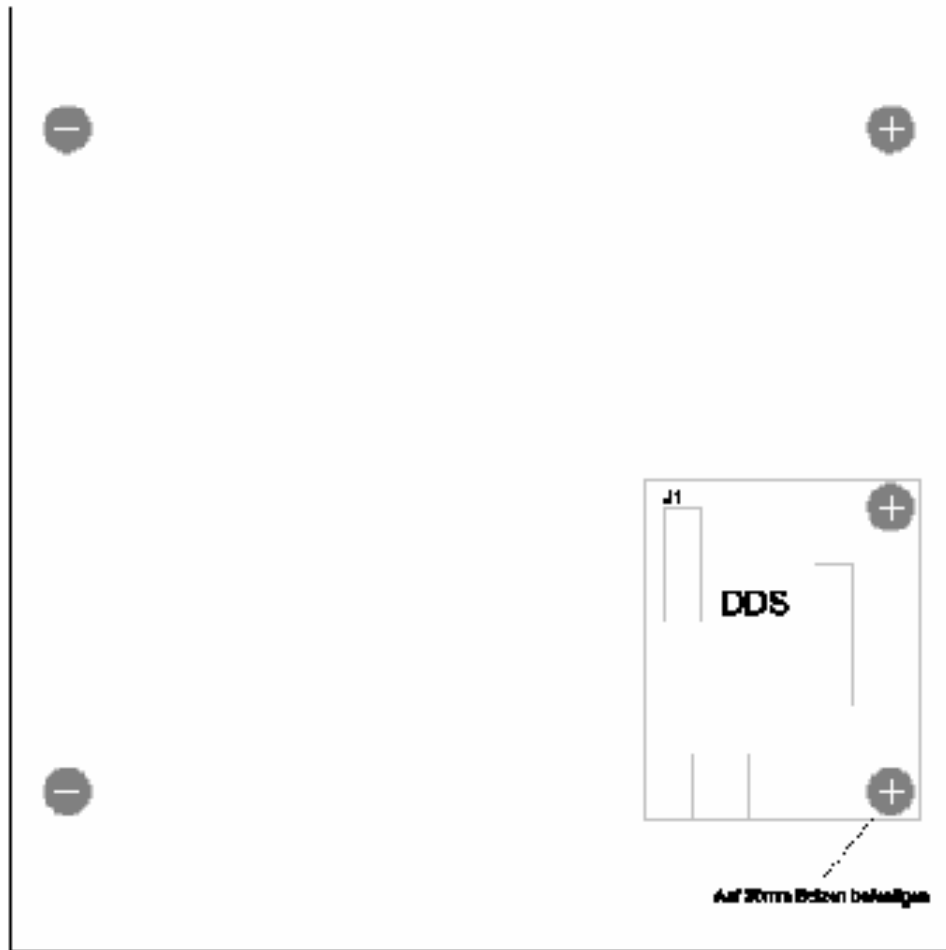
Now test according to appendix H





Fitting in the enclosure.

In the kit you will find a printed fil for the front and back and also a covering film for the front and back to avoid pull out, and the drilling guides. Begin with the four holes for the pc board. The pc board should touche the back wall, of the enclosure to make it possible to fix the PA transistor screw



out.

Drill the front and back according to the drilling guide, test all components in their respective holes, to find any errors.

Fix the pc board in the enclosure with the 8 mm standoffs and the short M3 screws. Fix the potentiometers, connectors and switches according to the diagram below. Don't forget the external components shown in the diagram. Cut the wires to the 2 and 3 pole connectors neither are too long or too short to fit.

The fuse socket will be best fitted above the PA transistor on the back wall. Put in the DDS VFO with the 20 mm stand offs and the long M3 screws in the position front right.

Connect all connectors and power, and repeat the tuning of all trimmers. Set the output properly with the potentiometer P5.

Parts list for mounting in enclosure

- [] 1 Sparrow enclosure
- [] 1 Potentiometer 2k2log (Volume)
- [] 1 Stereo connector, headphone
- [] 1 Stereo connector, keyer
- [] 1 2,1mm coaxial power connector
- [] 1 Switch SPST RIT
- [] 1 Power switch SPST
- [] 1 Fuse socket
- [] 1 Fuse 1A
- [] 4 Stand offs 8 mm
- [] 1 stand off 20mm
- [] 4 Screws M3x5
- [] 1 screws M3x25
- [] 1 1k0hm
- [] 2 100nF

Below the enclosure, you will fit 3 rubber feet. To front, one back. 4 feet makes the Sparrow wobbly.

Revision:13.01.04

to the enclosure.

Allways put a piece of wood under the enclosure when drilling, to avoid pull

Appendix A

Test for section 1

1. Visual inspection

As the first test, all section should first be inspected with a magnifying glass for shorts. Take this test seriously! Even expert solderers see a bent lead or a splash of solder creating a short. And missed soldering points isn't less unpleasant. More often than you would think a component is neglected and not soldered in. Check also for the correct parts in the correct places. Are electrolytic capacitors polarized correctly? Diodes?

2. Resistance test

Measure with an ohmmeter the resistance between plus and minus on the pc board. It is OK as long as there isn't a short.

3. Smoke Screen test

If the Sparrow passed the resistance test, you can apply power. It is wise to use a regulated supply with a current limiter.

Before connection the power supply, the current limiter should be set for a minimum. At this point it is stressed, that the power supply always should be turned on first, the apparatus under test, afterwards. This is general, not only for kit testing. The reason: When turned on, many power supplies present a brief voltage peak, which can be large enough to damage the apparatus under test. When the Sparrow is connected to the power supply, you will keep one eye on the power supply and one on the pc board. If smoke rises, you've got a pretty good indicator of malfunction. The same is true for currents above 10 mA. The protection diode D10 is coupled, so that wrong polarity results in a short.

4. Measuring voltages

MP 1 Should be + 8V against ground

MP 2 Should be + 6V against ground

MP 3 Should be + 8V against ground, 0 V when the key connector is grounded.

If a voltage is missing, repeat the visual inspection. When all is OK, continue with section 2.

Appendix B

Test of section 2

1. visual inspection

2. Resistance test
3. Smoke Screen test
4. Functional test.

Connect a pair of head phones to the connector marked Earphone. Best with the wires of the 2 pole pc board connector soldered to the earphone socket. Don't shorten the lead for now, save that for fitting in the enclosure. Solder the volume potentiometer on to the 3 pole pc board connector as shown in the diagram.

The Test:

When you touch the middle connector of the volume potentiometer, you should hear a loud humming, maybe even some broadcast radio. The latter is dependent on how near you are to the closest broadcast transmitter and how many antenna wires you have in your shack. The more RF in the room, the more broadcast you hear.

The same goes for MP 4, remember though, that the volume is dependent on the volume potentiometer setting. If you have heard the hum, go on to section 3. If not, repeat the visual inspection, obviously you have a bad soldering or a misplaced component.

Appendix C

Test of section 3

1. Visual inspection
2. Resistance test
3. Check if IC 2 is placed correctly in the socket!
4. Smoke Screen test

Functional test

Hook up a field strength meter (50-100 mikroampere meter), or a short to the pc board connector marked FS Meter. This is important, as the IF of the Sparrow without the meter or short is regulated down some 60 dB.

Hook up the volume potentiometer and the head phones.

When touching MP5 with a screwdriver with volume control turned up, you should hear some growling short wave in the head phones. In RF-poor areas you might need a piece of wire. This test shows that the IF amplifier, BFO and AF preamplifier, all in IC2, works. If you don't hear a thing, repeat visual inspection.

At MP6 the hand test won't suffice. Here you will need a 4 MHz signal. The crystals are chosen to within 50 Hz, but the other components might pull

them a little.

Test 2, Method 1

If you have a transmitter tuneable to 4 MHz, connect it to a dummy load. Couple a piece of wire to MP6 as an antenna. (Don't solder it. It gives too much trouble to clean the hole up later on. Just put in a cut lead from a resistor in the hole and solder the wire to that. By hanging obliquely the lead will have sufficient contact to the board.

Test 2, Method 2

If you have got a transmitter or signal generator, then you can build a small test oscillator and use the other 4 MHz crystal for that. The signal of this generator suffices for the functional test. QRProject sells a small RF generator kit for this purpose (ordering number: SignGen). The diagram for a test oscillator and the signal generator is found on the CD.

Test 3, Method 3

This method not only tells whether the IF works, but also tells about the quality of the filters. Hook up a noise generator to MP6 and ground on the pc board. A noise generator can be built quickly. On the CD you will find a diagram, and QRProject sells a kit (Order number: RauschGen).

Hook up the head phone connector to the sound card of a PC, on which you run an analyzer program (Freeware GRAM is found on the CD).

The noise generator makes a broad band noise from 1 to more than 30 MHz. The Sparrow IF/AF as built so far will only let so much pass, as corresponding to the filter curve. As the BFO translates this signal to AF, the AF analyzer on the PC will show the pass band curve of the filter and AF.

Appendix D

Test section 4

1. Visual inspecton
2. Resistance test
3. Smoke Screen test.

Functional test.

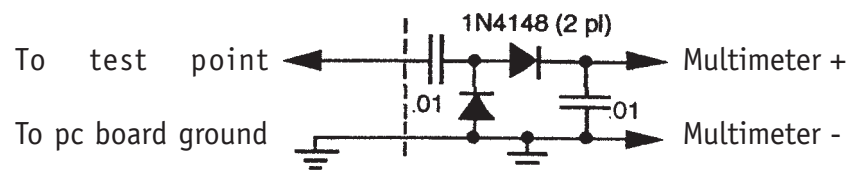
For this test we need the DDS VFO. It should be connected to MP7 with a short piece of RG174 coaxial cable. Please confer with the diagram to find the right point.

If everything has been built right, the local oscillator signal is output to the Counter Output point on the pc board. If you have a reciever capable of

working around 11 MHz, hook it up to this point with either a piece of coaxial cable or a pair of twisted wires. Search for the local oscillator signal on the reciever in the vicinity of 11,030 MHz (8,030 MHz from the VFO + 3 MHz from the band crystal = 11,030 MHz). Set C98 and C96 about center. The center position is found, where the screw point towards both leads. When you have found the signal, trim C98 and C96 to maximum field strength on the reciever. C98/C96 are the capacitors in the band pass filter. When properly adjusted the local oscillator frequency is let through and other mixer products are suppressed.

If no 11 MHz receiver is on hand, you will have to trim the filter with the help of an oscilloscope or an RF probe. You can easily build a very simple RF probe for a multimeter.

RF Probe



Solder to diodes and to capacitor to a piece of pc board or free on end as shown in the drawing. If you have it, you can change the silicon diode to a germanium type. The probe will be more sensitive then. When the probe is connected between test point C79 and the multimeter, you can directly measure RF. The display is not directly calibrated in mV, but for us it suffices to see whether any RF is present or not.

The main disadvantage of such a simple probe is that it is not very sensitive. It only works with at least 0,5V RV voltage. Better choice is the little linearized probe offered by QRProject



If a trimmer has reached its maximum, the only solution is to remove the corresponding coil and re-wind it with an extra turn. If the trimmer is at minimum, you will correspondingly have to remove one turn.

The drawing shows the minimum position!

Appendix E Test section 5

1. Visual inspecton
2. Resistance test
3. Smoke Screen test.

Functional test.

Section 5 completes the receiver. When all is well, you can start hearing signals with the Sparrow.

Once again hook up the head phones, the volume potentiometer, the field strength meter (or the short) and the VFO. Use to short pieces of wire to connect the antenna connector to the two points marked ANT on the pc board. Also hook up a signal generator, or a low power transmitter connected to a dummy load. QRPProject sells a cheap signal generator useful for this project. You could also use an antenna, out of sheer need. The Sparrow is very sensitive and strong signals could be heard even with a detuned receiver front end. Set C75, C97, C99 and C100 to their center positions. Dial the signal generator or transmitter a little to and fro, till you hear it in the head phones. If you work on an antenna, turn the VFO dial to any audible signal. When you hear a signal, tune C75, C97, C99 and C100 to their a signal maximum. If a trimmer is at its maximum, you will need to remove the corresponding coil and rewind it with one more turn. If any trimmer is at a minimum, you will have to remove one turn. (The resonant circuit C97/L3 shows no real maximum and is very uncritical as it is mainly there for the transformation).

The drawing below shows the MINIMUM setting.



The Sparrow reciever is now fully functional, and we will continue by building the transmitter

Appendix F Test section 6

1. Visual inspecton
2. Resistance test
3. Smoke Screen test.

Functional test.

Hook up the VFO and short the KEY terminals. Set trimmer C101 and C102 in center position. At MP8 you should be able to measure a 7 MHz signal, which stems from mixing the local oscillator with the 4,000 MHz crystal. Now connect MP8 to a receiver, just as when tuning the receiver part of Sparrow. This time the external reciever must be tuned to 7,030 MHz. Tune both C101 and C102 to maximum signal.

If you work with an RF probe or an oscilloscope, you will also tune to a maximum signal. If a trimmer is at its maximum, you will need to remove the corresponding coil and rewind it with one more turn. If any trimmer is at a minimum, you will have to remove one turn.



The drawing left shows the minimum position of a trimmer.

Appendix G Test section 7

1. Visual inspecton
2. Resistance test
3. Smoke Screen test.

Funktionstest.

The test point is directly the casing of transistor T6. To terminate Trafo 1 properly, put a 25 ohm resistor from TR1 PIN 3 to ground. Measure the RF signal with the RF probe, the 'scope or the external receiver, and trim the

ceramic trimmer C103 to maximum signal. With the potentiometer P5, TX Output Adj., you can set the amplification of this stage. When the trimmer is at maximum or minimum, you will have to change the coil as previously described.

Appendix H

Test section 8

1. Visual inspecton
2. Resistance test
3. Smoke Screen test.

Funktionstest.

The last section. No more trimming, only measurement. Please keep in mind, only to turn on the transmitter for a few seconds, as long as the Sparrow not is fitted in the enclosure.

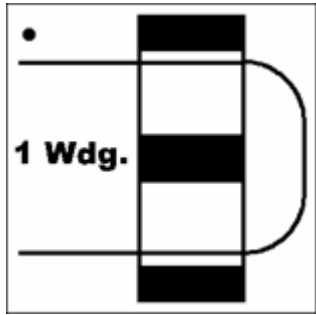
Hook up a dummy load to the antenna terminal. If you have got one, use a Watt-meter. Commercial Watt-meters won't give better accuracy than some 10-15% of full range. More precise is the measurement of RF voltage at the dummy load with an RF probe or a 'scope. (Don't forget to calculate the effective voltage from the p-p value!). Naturally the best way to measure is with a calibrated Wattmeter for QRP, e.g. the OHR WM2.

Short the keying terminal shortly to measure the output. If it is larger than 1 Watt (adjust with P5), you won't need any more testing, the Sparrow can be fitted in the enclosure, and after that re-trimmed.

Appendix I

Winding instructions for transformer TR1

The transformer TR 1 should be wound on a double hole core (pig nose core). Put the core in front of you, so that both channels run from left to right. TR1 contains a primary of 5 turns and a secondary of 1 turn. Like in most other transformer diagrams, you will find one end of a coil marked with a point. This point ALWAYS designates the beginning of a turn (also in simple coils).

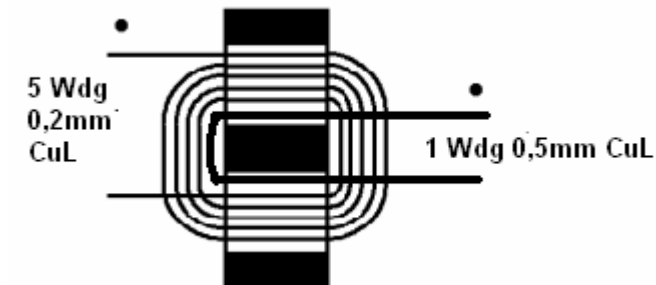
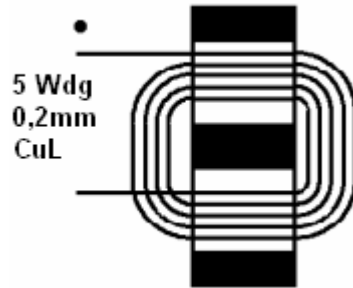


Cut a 20 cm piece of 0,2 mm wire and put it through the core as shown in the picture. One turn is complete, when the wire passes through both holes. Wind two turns: Through the upper hole to the right (leave about 2 cm hanging out of the hole). Go back through the lower hole to finish the first turn.

Then go on:

through the upper hole again, back through the lower to finish turn number two. Don't pull the wire too hard over the edges, the lacquer is easily scratched.

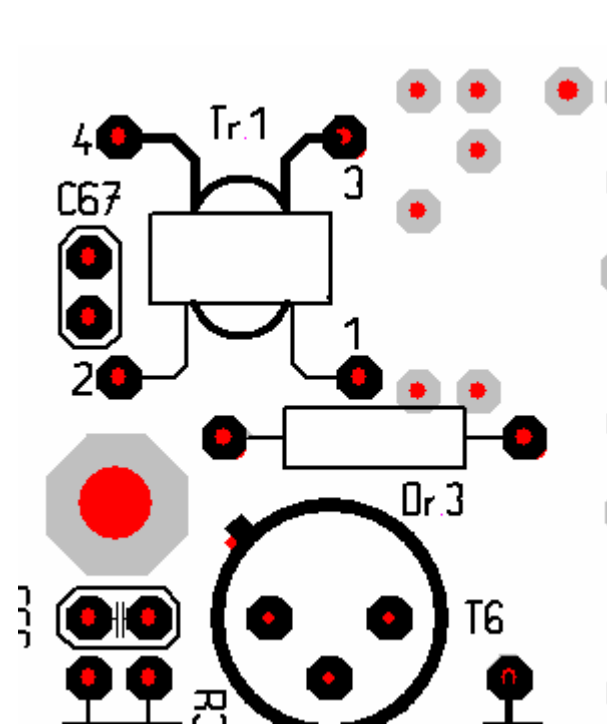
Continue with turn three, four and five,



and the primary is finished.

You still miss the secondary. As the input of the PA transistor is low imped-

ance, we will transform downwards, the secondary will only consist of one turn of 0,5 mm copper wire. To make the fitting easier, our designer has put TR1 so that the secondary terminals are opposite to the primary. Take a 6-7 cm piece of 0,5 mm wire, push it gently from right to left through the upper hole, and back towards the right through the lower hole. The secondary is finished.



The transformer can be fitted. The secondary comes as 4/3, the primary as 2/1.

Packing list Sparrow 40

Section 1

1 0,033µF film 5mm
2 1µF radial
1 100nF 104
1 12V connector
1 1N5402 o. 1N5822
1 27k
2 2 pole connector
1 47µF radial
1 78L06
1 78L08
1 2k2

Section 2

2 0,01µF film RM5
1 0,047µF film RM5
1 0,22µF film RM5
1 10µF rad
1 100µF rad
1 100n
1 10R
2 18k
1 1N4004 (or equal)
1 22k
1 2 pole connector (KH)
1 3 pole connector
1 47µF rad
1 560R
1 TDA7050

Section 3

1 1µF tantalum
2 10µF tantalum
1 100µF 16V rad
2 100nF
1 120R
2 150pF NPO
1 18k
1 1k5

5 220pF NPO
1 220R
2 22nF
1 27R
1 2k2
1 2 pole connector
1 33p (as C17, see text)
1 33µF 16V rad
1 470R
1 56k
1 A244 /TCA440
2 AA143
1 trimmer. 7mm black
1 IC Socket 16 pole flat

Pack 40-3

1 Crystal 4MHz
4 Crystal 4MHz matched

Section 4

1 100K
1 100pF
2 10nF
1 10pF
2 1K
2 2,2K
3 22nF
2 47K
1 47nF
1 BF199
2 BF244A
1 NE612/SA612

Pack 40-4

1 100pF NPO
1 220pF NPO
1 68pF NPO
1 470 pF NPO
2 82pF NPO
1 470pF NPO
2 ceramic trimmer 50pF

1 3MHz Crystal
2 T37-2 (red)

Section 5

2 1k
5 22nF optional
1 470R
1 NE612/SA612
3 PIN-Diode BA479
1ZPD 4V7

1 T50-2 rot

Pack40-5

2 100pF NPO
1 1000pF NPO
2 3,3pF NPO
1 330pF NPO RM5
1 220pF NPO RM5
3 120pF NPO
4 330pF NPO
1 150pF NPO
1 trimmer 2-45
3 ceramic trimmer 50pF
2 T37-2
3 T37-6
1 18µH SMCC

Section 6

1 18K
2 220pF COG
1 22K
1 22nF
1 3,3K
1 330R
3 47nF
1 BS250 T092
1 RFC 47µH SMCC
1 NE612/SA612
1 ZPD 5V6

Pack40-6

1 100pF NPO

2 5,6pF NPO
1 120pF NPO
1 820pF NPO
2 ceramic trimmer 50pF
1 Crystal 4MHz
2 T37-2

Section 7

1 100nF
2 10R
1 150R
1 2N2219A
1 33k
1 47µF
1 47µH SMCC
4 47nF
1 820R
1 8k2
2 BF199
1 two hole ferrite small
1 Ferrite bead
1 potentiometer 10k PT6LV
1 Unterlegscheibe für Transistor

Pack40-7

1 100pF NPO
1 ceramic trimmer 50pF
1 T37-2
1 22pF NPO

Section 8

1 1µF 63V MKS2 RM5
1 100nF
1 1N4148
1 22nF
1 47R
1 FT37-43
1 2SC1969
1 FT50-43

Parts list Sparrow DDS VFO

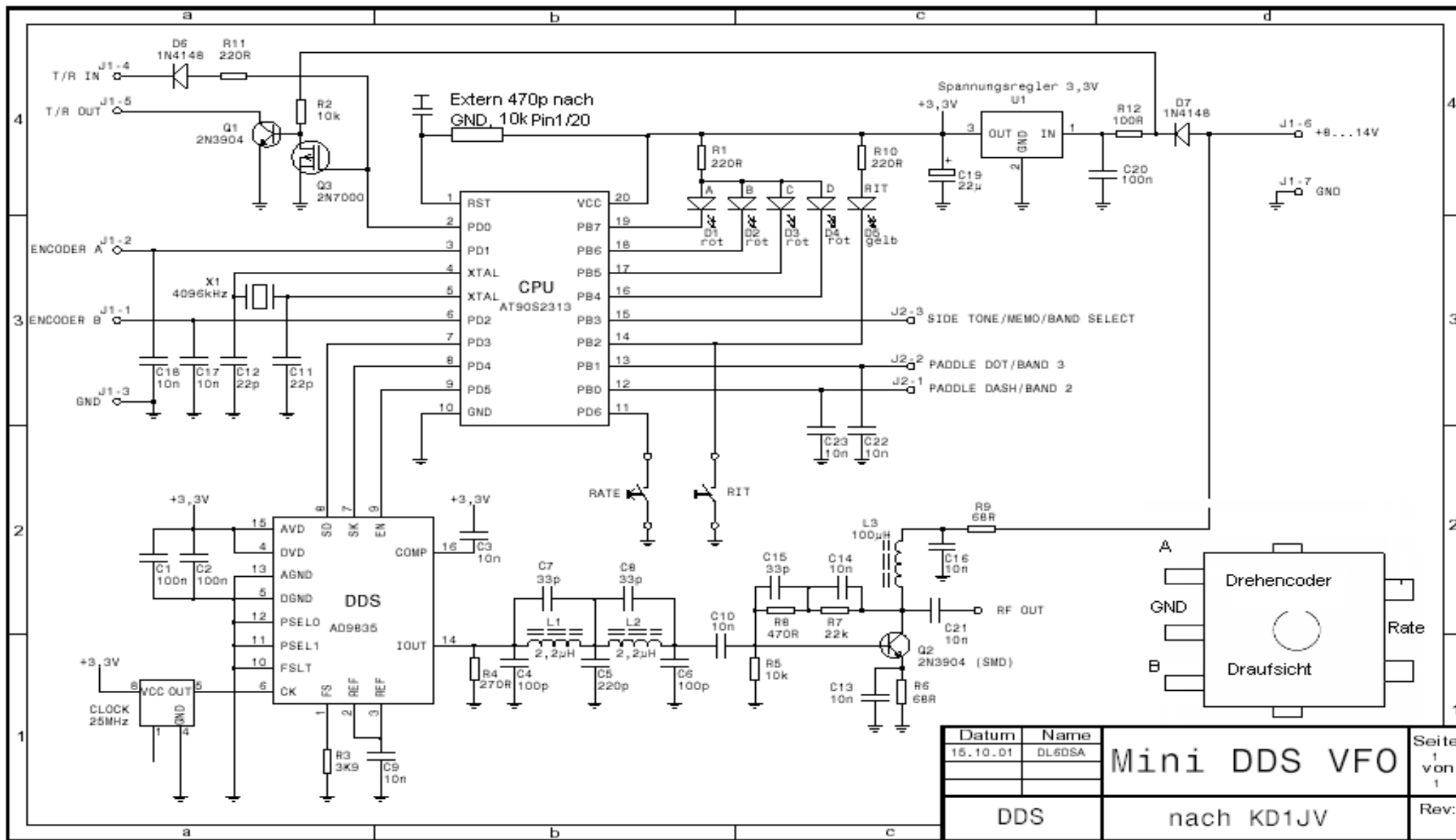
1	0.1 uF	CERAMIC MONO
1	22 uF /10V	SUB-MIN. 4x7 mm
1	Diode	1N4148
1	LED	red
1	LED	socket
1	3,3 V	Voltage regulator
1	100 R	
1	10 k	
1	220 R	
1	2N7000	TO-92 MOSFET
1	CLOCK	25.000 MHz CMOS
1	CPU	ATMEL A90S2313-PC10
1	shaft	encoder
1	Crystal	4096 kHz
1	Transistor	2N3904
1	connector	7pol
1	7fach	Crimp connector
1	0.1 uF	SMD 0805
11	0.01 uF	SMD 0805
2	100 pF	SMD 0805
2	22 pF	SMD 0805
1	220 pF	SMD 0805
3	33 pF	SMD 0805
1	100 uH	SMD 1008
2	2.2 uH	SMD 1008
1	10 k	SMD 0805
1	22 k	SMD 0805
1	270	RSMD 0805
1	3k9	SMD 0805
1	470	RSMD 0805
2	68 R	SMD 0805
2	2N3904	SOT-23 SMD
1	DDS AD9835	BRS
1	4,7pF	SMD 0805 (extern)
1	pc board	DDS

Parts list Sparrow

Peripheral Parts	
enclosure	1
Stereo connector	2
Micro switch	1
2,1mm power socket	1
2,1mm power jack	1
Schalter 1 x ein	2
Fuse 1,25A	1
Fuse socket	1
100nF	2
1 Potentiometer 2k2log (Volume)	1
stand off 8mm	4
screw M3x7	8
screw M3x10	1
nut M3	2
1k0hm	1
stand off 20mm	1
screw M3x25	1
front film	1
back film	1
protective film	2
drilling guide, bottom	1
drilling guide, front	1
drilling guide, back	1
pc board	1
knob 30mm	1
Knob 12mm	1
cover for knob	1
rubber feet	3
BNC connector	1
pc board	1
copper wire, 0,3mm brass colour	4m
copper wire 0,3mm red	2m
copper wire 0,5mm	2m
copper wire 0,2mm	0,5mm

Packing list Sparrow

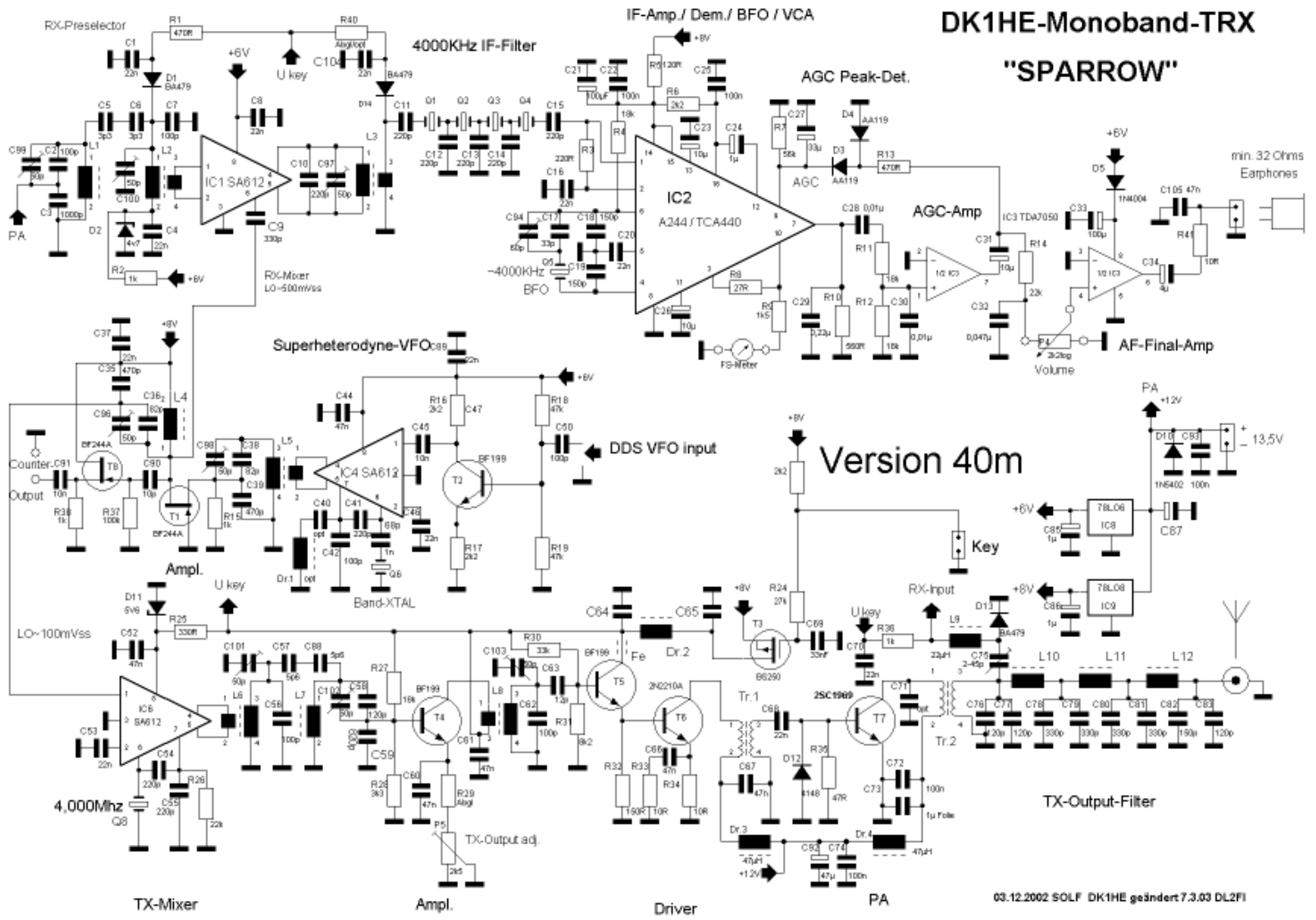
Section 1–8 packs	[]
Peripheral parts incl. PCB	[]
enclosure	[]
drilling guide front, back, bottom	[]
foile back, front	[]
protectiv foil front, back	[]
manual	[]
DDS kit	[]



Revision:13.01.04 Appendix H, Schematic DDS VFO

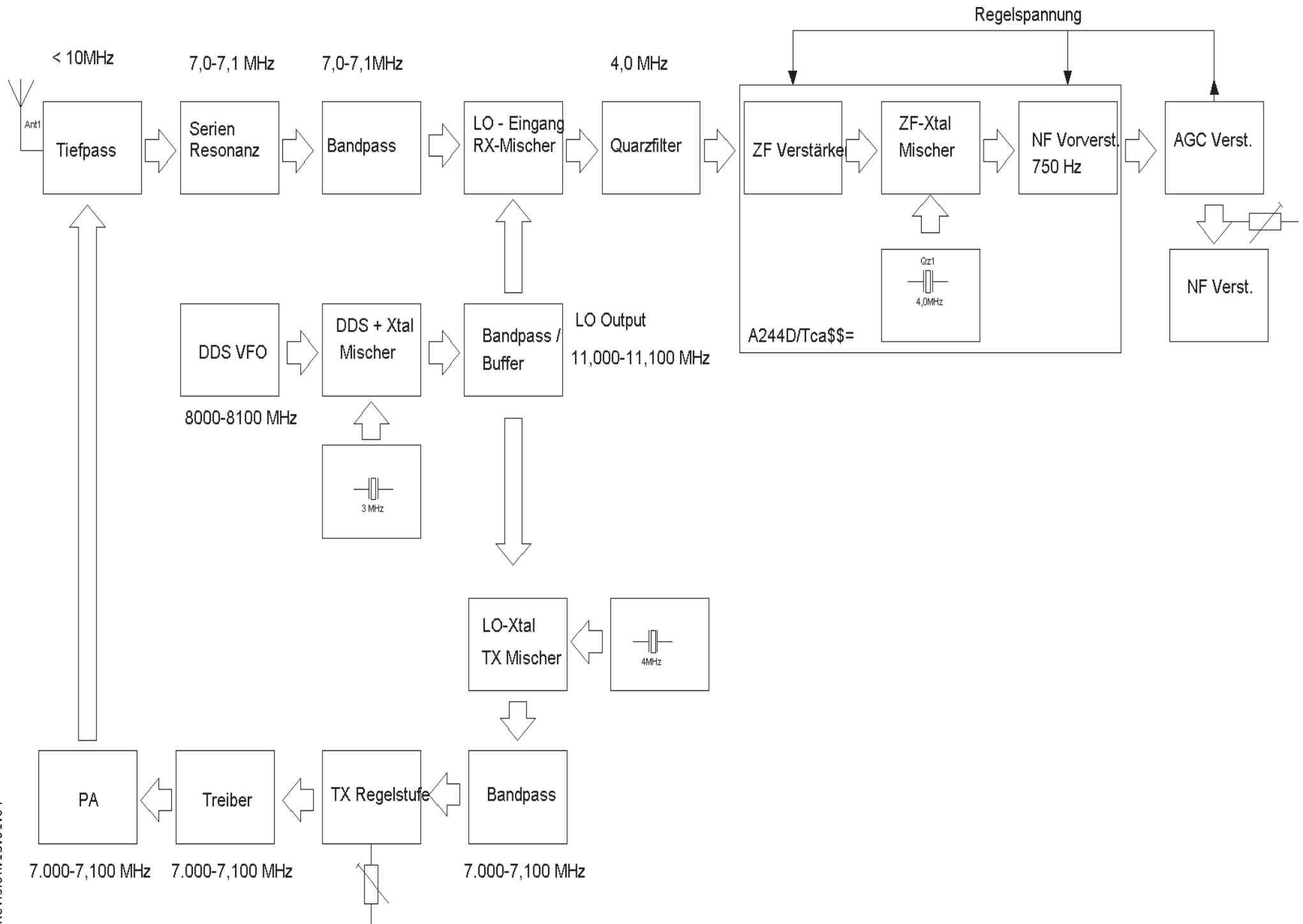
DK1HE-Monoband-TRX

"SPARROW"



03.12.2002 SOLF DK1HE geändert 7.3.03 DL2FI

Revision:13.01.04



Revision: 13.01.04

